

INV813Z-RWTS

3 Megapixel 130dB WDR Vandal Dome Camera with IR

Infinique offers a wide range of IP based high definition cameras from 1.4MP to 6MP which are available in Box, Dome and Bullet housing. Our cameras are equipped with superior image sensor and digital signal processor to produce sharp, crisp pictures and are enclosed in weather-proof vandal resistant housing making it suitable for use in different types of applications. The ONVIF compliance of our cameras helps in easy integration, providing peace of mind for your investment. From small to very large installations, Infinique's cameras are reliable, future proof and an ideal solution for your video surveillance needs.

The INV813Z-RWTS is a 3 Megapixel IR WDR Dome Camera with weather-proof vandal resistant aluminum housing, incorporating a 1/3" high quality image sensor and IR LEDs providing clear crisp images both during the Day and Night.

The camera comes equipped with 2.8~12mm motorized zoom lens for easy setup of field of view. The auto iris control allows the camera to automatically set its iris position to maximize image quality in all lighting conditions. The camera streams real-time video at high definition resolution using H.264 or H.265 compression optimizing the bandwidth and increasing storage efficiency.

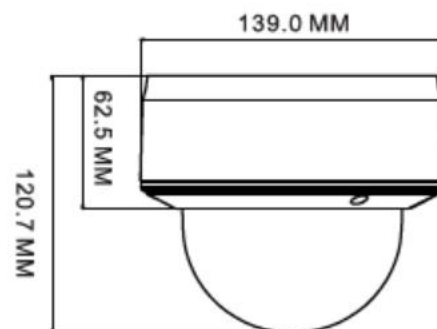
Built-in PoE for powering the camera and the flexible 3-axis bracket for fixing it on ceiling or wall, provides the convenience for installers to complete the installation quickly and with ease. These excellent IP cameras are highly suitable for video surveillance of government buildings, residential apartments, schools, colleges, universities, shopping malls, hospitals, hotels, industrial parks, and corporate offices.

Product Features

- 1/3" CMOS Sensor
- 3 Megapixel Resolution at 25/30 fps
- 130dB True WDR
- IR LEDs, IR Distance up to 40 meters
- 2.8~12mm Motorized Zoom Lens
- S/N Ratio of more than 50dB
- H.265, H.264 Compression in all streams
- Up to 3 Simultaneous Video Streams
- Micro SD Card Slot for Onboard Storage
- Power Over Ethernet (PoE), IEEE 802.3af
- IP66 Rated Weather Proof Housing
- Wall or Ceiling mount with 3 Axis Bracket
- ONVIF Compliant Profile-S




Dimensions



INV813Z-RWTS


3 Megapixel 130dB WDR Vandal Dome Camera with IR



IMAGE PERFORMANCE	
Image Sensor	1/3" CMOS
Effective Pixels (H x V)	2048 × 1536
Resolution (Megapixels)	3
Minimum Illumination	0.05 lux (AGC ON) 0 lux with IR ON
Image Rate (fps)	25 / 30, adjustable for all resolutions
S/N Ratio	More than 50dB
IR Distance (m)	40
LENS	
Focal Length (mm)	2.8~12 Varifocal Motorized Zoom Lens
Iris	DC Auto Iris
Lens Mount	M14
Aperture Ratio	F1.2
Angle of View (deg)	H:108.6 (Wide)~22.4 (Tele), V:81.4 (Wide)~15.8 (Tele)
VIDEO	
Video Compression	H.265 Main Profile H.264 Baseline Profile/Main Profile/High Profile
Main Stream	2048x1536, 1920x1080, 1280x960, 1280x720
Sub Stream	1280x720, 640x480, 320x240 (optional 1920x1080)
Mobile Stream (optional)	640x480, 320x240
Electronic Shutter Control	1/5 ~ 1/20,000 sec
Day/Night Control	Automatic / Manual
Flicker Control	50 Hz, 60 Hz
True WDR	130dB, On / Off / Adjustable Level
3D Noise Reduction	Auto / Manual / Disable
White Balance	Automatic / Manual
Back Light Compensation	On / Off
Automatic Gain Control	Adjustable Level
Privacy Mask Zones	Up to 4 Privacy Mask Zones
Video Bit rate	256K-8M ,Supports CBR/VBR
OSD	Camera ID, Timestamp
Image Orientation	Image Flip, Corridor Mode, Rotation
Image Controls	Brightness, Contrast, Hue, Saturation, Sharpness
Advanced Functions	Image Rotation, Gain Control, Anti-Fog, Anti-False Color, Anti-Shake, IR Detection
VIDEO ANALYTICS	
Motion Detection	Multiple Zones
Advance Video Analytics	Tamper, Out Of Focus, Perimeter Intrusion, Line Crossing, Stationary Object, Pedestrian Detection, People Counting, Face Detection
LOCAL STORAGE	
Storage Type	Micro SD card, Max up to 128GB
Recording	Video and Image; Auto / Schedule/ Manual / On Event

NETWORK	
Network Port	10/100M BASE-TX, RJ-45 Connector
Cabling Type	Category 6 and higher
Network Protocol	IPv4, HTTP, HTTPS, TCP/IP, UDP, RTP, RTSP, RTCP, DNS, DDNS, DHCP, FTP, NTP, PPPOE, SMTP, SNMP, UPNP, IEEE802.1X
ONVIF Protocol	ONVIF Compliant Profile-S
Security	User Access with password protection, IP Filtering
Users	1 Administrator, 6 Users
PC Web Browser	IE 6.0 Above; Mozilla Firefox; Google Chrome
Mobile Device	Windows Mobile, Symbian, iPhone, Android
Events	Motion and Tamper Detection
Event Handlers	FTP, E-mail
MECHANICAL	
Housing ID	V4DIMWH661040S1
Dimensions (mm)	139 (D) x 120.7 (H)
Weight (g)	844
Housing	Vandal Resistant Aluminum Alloy Housing
Finish	White Powder Coat, RAL 9003
Installation	Ceiling Mount / Wall Mount, 3-Axis Bracket
ELECTRICAL	
Power Consumption	580mA, 12V DC, 7W
Power Source	PoE IEEE802.3af; DC12V
Power Connector	3.5mm Power Jack
RTC Backup Battery	3V Magnesium Lithium
ENVIRONMENTAL	
Operating Temperature (C)	-10 ° to +50 °
Storage Temperature (C)	-20 ° to +60 °
Operating Humidity	0% - 95% non condensing
Ingress Protection Rating	IP66
STANDARDS COMPLIANCE	
Emissions	FCC Part 15 Subpart B Class B EN 55022:2010 IC ICES-003 Class B
Immunity	EN 55024:2010
Safety	UL 609501, EU: 2001/95/EC GPSPD

ORDERING INFORMATION	
PART NUMBER	DESCRIPTION
INV813Z-RWTS	Infinique Premium Series Vandal IR WDR Dome Camera, 1/3 CMOS Sensor, 3MP, 25/30fps, 0 Lux, 2.8-12mm Motorized Zoom Lens, IR LED, 40m IR Range, H.265, H.264, Three Video Streams, 130dB WDR, True Day and Night with ICR, Adjustable Bit Rate, ONVIF Compliant, SDHC Slot, PoE, IP66

 Infinique, a Canadian company is a manufacturer of high performing end-to-end solutions in copper, fiber and video surveillance systems. For more information visit our website at www.infinique.com or email us at sales@infinique.com.