

INV313Z-RWTN

32 Megapixel WDR Multi Sensor Camera with IR LED

Infinique offers a wide range of IP based high definition cameras available in various housing formats, including Box, Dome and Bullet. Our cameras are equipped with superior image sensor and digital signal processor to produce sharp, crisp pictures and are enclosed in weather and vandal resistant housings making it suitable for use in all security applications. The ONVIF compliance of the cameras helps in easy integration, providing peace of mind for your investment. From small to very large installations, Infinique’s cameras are reliable, future proof and an ideal solution for your video surveillance needs.

The INV313Z-RWTN is a 32 Megapixel Multi Sensor IR Camera incorporating four 1/1.8” high quality image sensors that each have a 130dB wide dynamic range providing sharp images and a 360° field of view. It’s powerful array LEDs provide clear crisp images during the night for a distance of up to 30 meters.

The four image sensors in the camera come equipped with a 2.8~12mm motorized lens with remote zoom and focus for easy setup of field of view. Each image sensor provides 8 Megapixel of resolution providing multichannel view. It provides easy installation by connecting the four sensors with a single IP address using a single UTP cable. The camera streams real-time video at high definition resolution using H.265+ or H.264+ compression optimizing the bandwidth and increasing storage efficiency.

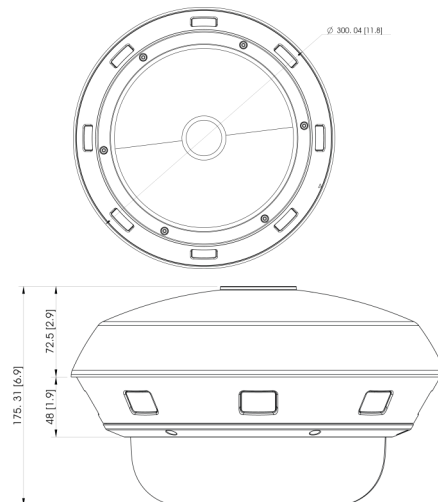
Built-in Hi-PoE provides an option for powering the four sensors camera using PoE. The camera can be ceiling or wall mounted, and provides the convenience for installers to complete the installation quickly and with ease. This excellent IP camera can be conveniently installed for video surveillance of government buildings, schools and colleges, universities, shopping malls, hospitals, hotels and industrial parks.

Product Features

- 1/1.8” Progressive Scan CMOS Image Sensor
- 4x 8 Megapixel Resolution at 25/30 fps
- IR Distance 30 meters
- 4x 2.8~12mm Motorized Zoom Lens for 360° view
- 130dB True WDR
- H.265, H.264 Compression
- Up to 3 Simultaneous Video Streams
- Micro SD Card Slot for Onboard Storage
- Power Over Ethernet (PoE), IEEE 802.3bt
- IP67 Rated
- IK10 Vandal Proof Aluminum Alloy Housing
- Wall or Ceiling mount
- ONVIF Compliant



Dimensions



Accessories



Part Number: IBMSWM
Multi Sensor Wall Mount Bracket



Part No: IBBCPM
Pole Mount Bracket



Part No: IBCRWM
Corner Mount Bracket

INV313Z-RWTN

32 Megapixel WDR Multi Sensor Camera with IR LED



IMAGE PERFORMANCE	
Image Sensor	4x 1/1.8" Progressive CMOS
Effective Pixels (H x V)	4x 3840 × 2160
Resolution (Megapixels)	4x 8
Minimum Illumination	0.005 lux, 0.002 BW (AGC ON), 0 lux with IR ON
Image Rate (fps)	25/30, adjustable for all resolutions
S/N Ratio	More than 50dB
IR Distance (m)	30

LENS	
Focal Length (mm)	2.8~12 Motorized Zoom Lens
Iris	DC Auto Iris
Aperture Ratio	F1.3
Lens Mount	Ø 16.7
Angle Adjustment (deg)	4 in one track, Slide: ±60° Tilt: 0 to 90° Rotate: 0 to 360°
Angle of View (deg)	H:112 (Wide)~48 (Tele), V:58 (Wide)~27 (Tele)

VIDEO AND AUDIO	
Video Compression	H.265+, H.265 Main Profile H.264+, H.264 Baseline Profile/Main Profile/High Profile
Main Stream	3840x2160, 2592x1944, 3072x1728, 2592x1520, 2304x1296, 1920x1080, 1280x960, 1280x720
Sub Stream	1280x720, 640x480, 320x240
Electronic Shutter Control	1/5 ~ 1/20000
Day/Night Control	Automatic / Manual
Flicker Control	50 Hz, 60 Hz
WDR Type	True WDR, 130dB, On / Off / Adjustable Level
3D Noise Reduction	Auto / Manual / Disable
White Balance	Auto / Manual / Indoor
Back Light Compensation	On / Off
High Light Compensation	On / Off
Automatic Gain Control	Adjustable Level
Privacy Mask Zones	Up to 4 Privacy Mask Zones
Audio Input / Output	Line level input and output, 3.5mm AV Interface
Video Output	BNC
RS-485	1 RS485 Interface
Alarm I/O	2x Alarm Input, 2x Alarm Output
Video Bit rate	256Kbps~1.6Mbps, Supports CBR/VBR
OSD	Camera ID, Timestamp
Image Orientation	Image Flip, Corridor Mode, Rotation
Image Controls	Brightness, Contrast, Hue, Saturation, Acu, Gamma
Advanced Functions	Image Rotation, Gain Control, Anti-Fog, Anti-False Color, Anti-Shake, IR Detection

VIDEO ANALYTICS	
Motion Detection	Multiple Zones
Advance Video Analytics	Tamper, Out Of Focus, Sound, Perimeter Intrusion, Line Crossing, Stationary Object, Pedestrian and Vehicle Detection, People Counting, Face Detection

LOCAL STORAGE	
Storage Type	Micro SD Card up to 256GB, Cloud Storage support
Recording	Video and Image; Auto / Schedule/ Manual / On Event

NETWORK	
Network Port	10/100/1000M BASE-TX, RJ-45 Connector
Cabling Type	Category 6 and higher
Network Protocol	IPv4, HTTP, HTTPS, TCP/IP, Unicast/Multicast, UDP, RTP, RTSP, RTCP, DNS, DDNS, DHCP, FTP, NTP, PPPOE, SMTP, SNMP, UPNP, IEEE802.1X
ONVIF Protocol	ONVIF Compliant
Security	User Access with password protection, IP Filtering
Users	Up to 32 users, Levels: Administrator and User
PC Web Browser	IE 10/11, Edge V.79, Safari V12.1, Firefox V.52, Chrome V.57 and above
Mobile Device	Windows Mobile, Symbian, iPhone, Android
Events	Motion Detection, Tamper Detection, Sensor
Event Handlers	E-mail, Cloud, Alarm Out

MECHANICAL	
Housing ID	V4MOMWH671030A1
Dimensions (mm)	300 (D) × 195 (H)
Weight (g)	4600
Housing	Vandal Resistant Aluminum Alloy Housing
Finish	White Powder Coat, RAL 9003 (Standard) Gray Powder Coat, RAL 7021
Installation	Ceiling Mount / Wall Mount, Concealed Cable Bracket

ELECTRICAL	
Power Consumption	43 Watts
Power Source	PoE IEEE802.3bt; DC12V, AC24V
Power Connector	DC Male Plug
RTC Backup Battery	3V Magnesium Lithium

ENVIRONMENTAL	
Operating Temperature (C)	-30° to +55°
Storage Temperature (C)	-20° to +60°
Operating Humidity	0% - 95% non condensing
Ingress Protection Rating	IP67
Impact Rating	IK10

STANDARDS COMPLIANCE	
Emissions	FCC Part 15 Subpart B Class B EN 55022:2010 IC ICES-003 Class B
Immunity	EN 55024:2010
Safety	UL 609501, EU: 2001/95/EC GPSPD

ORDERING INFORMATION	
PART NUMBER	DESCRIPTION
INV313Z-RWTN	Infinique Premium Series 32MP Multi Sensor IR Camera, 4x 1/1.8" Sensor, 4x 8MP (32MP), 25/30fps, 2.8~12mm Motorized Zoom Lens, IR Array LED, 30m IR Range, H.265+, H.264+, Three Streams, 130dB True WDR, TDN, Adjustable Bit Rate, ONVIF Compliant, SDHC Slot, PoE, IP67, IK10
IBMSWM	Infinique Multi Sensor Wall Mount Bracket
IBBCPM	Infinique Pole Mount Bracket with Metal Ties, 125 (L) x 46 (W) x 200 (H) mm
IBCRWM	Infinique Corner Mount Bracket, 200 (L) x 130 (W) x 172.8 (D) mm

INV313Z-RWTN

32 Megapixel WDR Multi Sensor Camera with IR LED





Housing Accessories

WALL MOUNT APPLICATION



Multi Sensor Bracket
IBMSWM



POLE MOUNT APPLICATION



Pole Bracket
IBBCPM

Multi Sensor Bracket
IBMSWM

CORNER MOUNT APPLICATION



Corner Bracket
IBCRWM

Multi Sensor Bracket
IBMSWM



Infinique, a Canadian company is a manufacturer of high performing end-to-end solutions in copper, fiber and video surveillance systems. For more information visit our website at www.infinique.com or email us at sales@infinique.com.