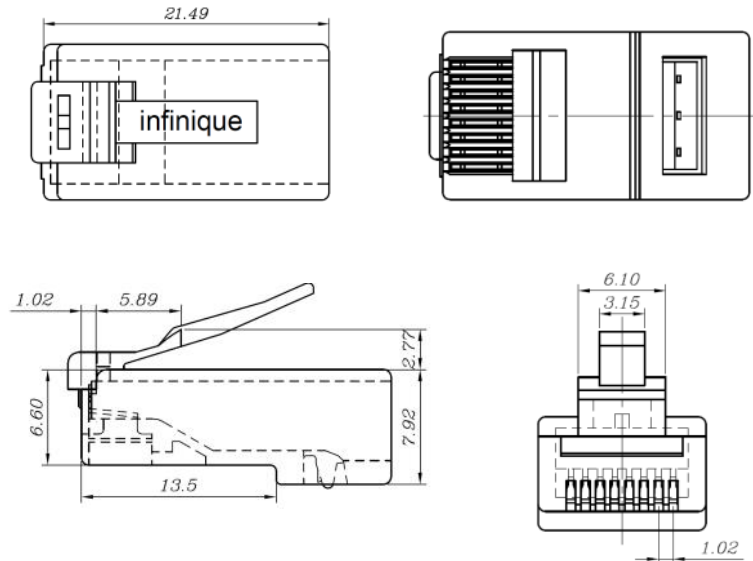


Category 6A Shielded Patch Cord Plugs

RJ45 Shielded Patch Cord Plugs

Infinique's Category 6A RJ45 Shielded Patch Cord Plugs are designed to guarantee application assurance, provide optimum channel performance and support for emerging high bandwidth applications such as Gigabit Ethernet. These are used to terminate Shielded cable and supports 22 to 26 AWG solid or stranded wire. Designed with 50 micron gold-plated contacts on 8P8C network connectors it provides reliable performance and resist corrosion.

CONSTRUCTION



SPECIFICATIONS

ANSI / TIA Category	Category 6A
Plug Shield	Brass and UL 94V-0 Polycarbonate Housing
Molded Boot	PVC UL 94V-0
Interface	RJ-45
Termination Type	IDC
Contacts	8/8
Contacts Material	Phosphor bronze with 50µ" gold over 100µ" nickel
Fire Safety Standard	UL 94V-0
Cable Tyoe	Shielded
Compatible Conductor Gauge	22-26 AWG
Current Rating	2.0A maximum
Contact Resistance	20mΩ maximum
DC Electric Strength	1KV / 1 min
Characteristic Impedance (1-250 MHz)	100 Ω

ORDERING INFORMATION

Part Number	Description
INPL6AS8CT	Infinique Category 6A Patch Cord Plugs RJ 45, Shielded, UL-94V-0

Delivery: 50 Plugs per bag.



Infinique, a Canadian company is a manufacturer of high performing end-to-end solutions in copper, fiber and video surveillance systems. For more information visit our website at www.infinique.com or email us at sales@infinique.com.