

Category 6 UTP Keystone Jack

Category 6 Unshielded Twisted Pair 110 IDC Keystone Jack

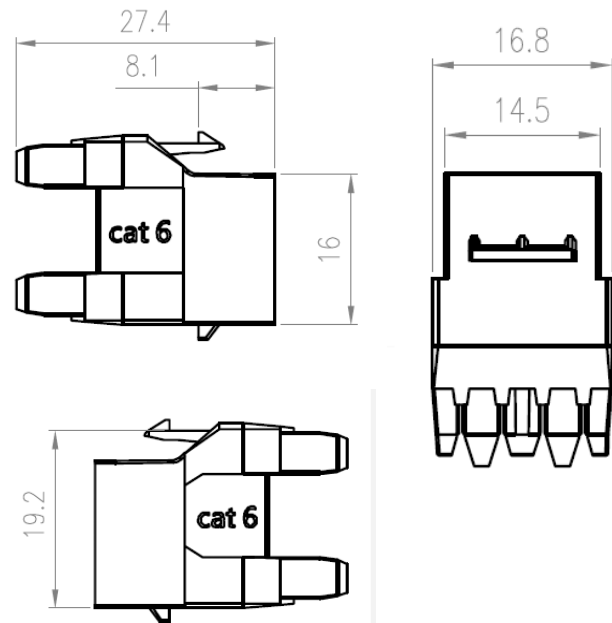
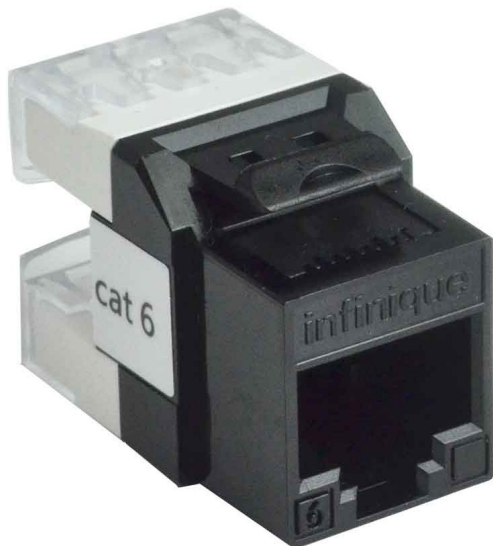
Infinique's Category 6, 110 IDC Keystone Jacks have a slim profile to ensure a clean professional installation. They are of universal design and support both T568A & B wiring. Electrical performance of these jacks are guaranteed to meet or exceed the Category 6 channel specification. The 110 IDC terminations allow for quick and easy termination of 22 to 26 AWG cable.

The additional bend limiting strain relief cover provides cylindrical support to limit the bend radius at the point of termination. These high quality keystone jacks can be snapped into any of Infinique's face plates, floor mount brackets and modular patch panels.

Features and Benefits

- Compliance**
 Complies performance as per ANSI/TIA-568-C.2 and ISO/IEC 11801 standards
- Reliable Performance**
 Electrical performance guaranteed to meet or exceed the channel specifications of ANSI/TIA-568-C.2 and ISO/IEC 11801 of Category 6
- Superior Design**
 Slim Profile with Dust Covers, Bend Limiting Strain Relief, 180, 90 Degree 110 IDC, High Impact Flame Retardant Plastic Compound, RoHS Compliant
- Performance Warranty**
 Qualifies for the Infinique's 25 Years System Performance Link Warranty

KEYSTONE JACK CONSTRUCTION



Category 6 UTP Keystone Jack

Category 6 Unshielded Twisted Pair 110 IDC Keystone Jack

ELECTRICAL SPECIFICATIONS

Current Rating	1.5Amp max
Dielectric Strength	1000 V, AC RMS, 60 Hz/1min
Insulation Resistance	500 M-ohm
Contact Resistance	20 m-ohm
Termination Resistance	2.5 m-ohm
Voltage Rating	150 VAV max

MATERIAL SPECIFICATIONS

RJ45 8-Pin Connector	FCC part 68, subpart F and IEC-60603-7, EN 28877 Compliant
Wiring Diagram	T568A and T568B
Spring Wire	Phosphor Bronze with 50µ" Gold over 100µ" Nickel Undercoat
Durability	750 mating cycles
Connector	IDC Connector (insulation Displacement Contact)
Admissible Wire Diameter	Terminates 22~26 AWG (0.64~0.41 mm)
Admissible Insulation Diameter	0.70~1.40 mm
110 Contacts	200 terminations
Connector	Phosphorous Bronze with 150µ" Tin-Lead over 50µ" Nickel undercoat
Jack Housing	Polyphenylene Oxide, UL94V.0
Dust Cover and Strain Relief	Polycarbonate, UL94V.0
Operating Temperature	-20°C to 60°C
Storage Temperature	-20°C to 75°C
Installation Temperature	0°C to 60°C

TRANSMISSION PERFORMANCE

Frequency (MHz)	Attenuation (Db)	NEXT (dB)	Return Loss (dB)
1	0.03	74.3	20.0
4	0.04	65.3	23.0
10	0.05	59.3	25.0
16	0.06	56.3	25.0
20	0.06	54.8	25.0
31.25	0.07	51.9	23.6
62.5	0.09	47.4	21.5
100	0.10	44.3	20.1
150	0.13	41.4	18.8
200	0.16	39.8	18.0
250	0.19	38.3	17.3

STANDARDS/COMPLIANCE

ANSI/TIA/EIA-568-C.2 Category 6 with the applicable electrical transmission characteristics
 ISO/IEC Generic Cabling Standard 11801:2002 ed.2.0
 IEC 60603-7: Electrical Characteristics of the Telecommunication Outlets
 TIA/EIA TSB-40 requirements
 CENELEC Generic Cabling Standard EN50173 – 1:2002
 RoHS Compliant

TYPICAL APPLICATIONS

100BASE-TX Fast Ethernet, 1000BASE-T Gigabit Ethernet
 Token Ring, 155 Mbps ATM, Composite Video, 622 Mbps ATM

ORDERING INFORMATION

Part Number	Description
INKJ6D180BK	Infinique Keystone Jack Cat.6 UTP 110 Type, 180 Degree, UL-94V0, Black
INKJ6D180WH	Infinique Keystone Jack Cat.6 UTP 110 Type, 180 Degree, UL-94V0, White

Delivery: One Modular Jack and One Strain Relief
 Packaging: 10 Jacks packed in one bag.



Infinique, a Canadian company is a manufacturer of high performing end-to-end solutions in copper, fiber and video surveillance systems. For more information visit our website at www.infinique.com or email us at sales@infinique.com.