

SC-UPC Singlemode Adapter

SC-UPC Singlemode Simplex, Duplex Adapter

Infinique's SC-UPC Singlemode Adapters are precision made to ensure the perfect alignment of connectors thus reducing the insertion loss. The alignment sleeves are made of Zirconia Ceramic, and ensure precise interconnectivity of ferrules resulting in low insertion loss,

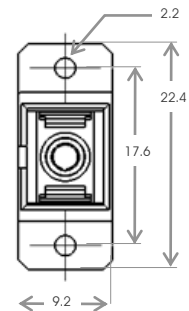
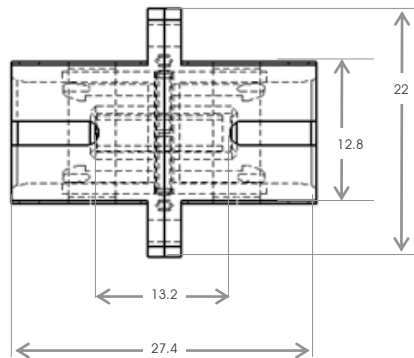
SC-APC Singlemode Adapters are field installable and can be mounted in a variety of Infinique's mounting configurations such as Micro ODF, Patch Panels, Slim Line Panel and 3U Modular Chassis. Compliant with TIA/EIA-604-3, the adapters are available in both simplex and duplex types.

To confirm high performance and reliability, the SC-APC Singlemode Adapters are tested and certified as per Telcordia standards GR-326, Generic Requirements for Singlemode Optical Connectors and Jumper Assemblies.

Features and Benefits

- Compliance**
 IEC, EIA/TIA, Telcordia GR-326 Standards
- Reliable Performance**
 Precision aligned sleeves for insertion loss, factory tested with a detailed test report
- Quality Design**
 1000 Mating Cycles with <0.2dB
- Easy Identification**
 Color coded adapters as per Telcordia standards, unique serial number for traceability
- Speedy Installation**
 Full Flanged Mounting Clips and Snap-in design for speedy installation

SC-UPC SINGLEMODE ADAPTER CONSTRUCTION



SC-UPC Singlemode Adapter

SC-UPC Singlemode Simplex, Duplex Adapter

ADAPTER SPECIFICATIONS

Adapter Type	SC-UPC Singlemode
Adapter Polish	UPC
Adapter Housing Material	PBT+GF
Insert Material	Zirconia Ceramic
Adapter Housing Color	Blue
Mounting Type	Full Flange, Slim
Clip	Stainless Steel

TEMPERATURE RANGE

Installation and Assembly	-20 °C to +60 °C
Operating Temperature	-40 °C to +75 °C
Storage Temperature	-55 °C to +85 °C

STANDARDS

GR-326, Generic Requirements for Single-Mode Optical Connectors and Jumper Assemblies
Optical Interface Standards IEC 61754, ISO/IEC 24764
IEC 61034 and EN 50268 LSOH Low Smoke Zero Halogen
IEC 60874 Compliant

TEST REPORT FORMAT

Visual Inspection: Quality control visual inspection of the component is conducted to determine if the product passed the quality test.

Component Packing: Quality control visual inspection of the packing is conducted to determine if the component is packed correctly with product label and test report.

PACKING

The SC-UPC Singlemode Adapters are packaged in 10 numbers along with the Product Label.

ORDERING INFORMATION

Part Number	Description	Adapter
IFASMCS	Infinique SC UPC Singlemode Simplex Adapter	Singlemode SC-UPC
IFASMSD	Infinique SC UPC Singlemode Duplex Adapter	Singlemode SC-UPC
IFASMSCS	Infinique SC UPC Singlemode Slim Simplex Adapter	Singlemode SC-UPC



Infinique, a Canadian company is a manufacturer of high performing end-to-end solutions in copper, fiber and video surveillance systems. For more information visit our website at www.infinique.com or email us at sales@infinique.com.