

SC-APC Singlemode Adapter

SC-APC Singlemode Simplex, Duplex Adapter

Infinique's SC-APC Singlemode Adapters are precision made to ensure the perfect alignment of connectors thus reducing the insertion loss. The alignment sleeves are made of Zirconia Ceramic, and ensure precise interconnectivity of ferrules resulting in low insertion loss,

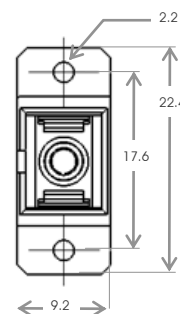
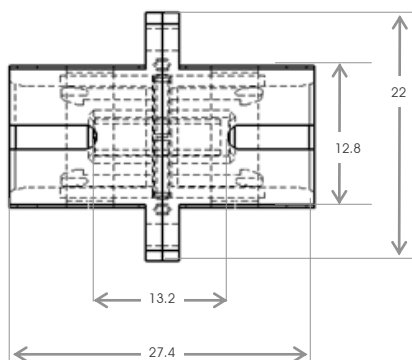
SC-APC Singlemode Adapters are field installable and can be mounted in a variety of Infinique's mounting configurations such as Micro ODF, Patch Panels, Slim Line Panel and 3U Modular Chassis. Compliant with TIA/EIA-604-3, the adapters are available in both simplex and duplex types.

To confirm high performance and reliability, the SC-APC Singlemode Adapters are tested and certified as per Telcordia standards GR-326, Generic Requirements for Singlemode Optical Connectors and Jumper Assemblies.

Features and Benefits

- **Compliance**
IEC, EIA/TIA, Telcordia GR-326 Standards
- **Reliable Performance**
Precision aligned sleeves for insertion loss, factory tested with a detailed test report
- **Quality Design**
1000 Mating Cycles with <0.2dB
- **Easy Identification**
Color coded adapters as per Telcordia standards, unique serial number for traceability
- **Speedy Installation**
Full Flanged Mounting Clips and Snap-in design for speedy installation

SC-APC SINGLEMODE ADAPTER CONSTRUCTION



SC-APC Singlemode Adapter

SC-APC Singlemode Simplex, Duplex Adapter

ADAPTER SPECIFICATIONS		
Adapter Type	SC-APC Singlemode	
Adapter Polish	APC	
Adapter Housing Material	PBT+GF	
Insert Material	Zirconia Ceramic	
Adapter Housing Color	Green	
Mounting Type	Full Flange, Slim	
Clip	Stainless Steel	
TEMPERATURE RANGE		
Installation and Assembly	-20 °C to +60 °C	
Operating Temperature	-40 °C to +75 °C	
Storage Temperature	-55 °C to +85 °C	
STANDARDS		
GR-326, Generic Requirements for Single-Mode Optical Connectors and Jumper Assemblies Optical Interface Standards IEC 61754, ISO/IEC 24764 IEC 61034 and EN 50268 LSOH Low Smoke Zero Halogen IEC 60874 Compliant		
TEST REPORT FORMAT		
Visual Inspection: Quality control visual inspection of the component is conducted to determine if the product passed the quality test.		
Component Packing: Quality control visual inspection of the packing is conducted to determine if the component is packed correctly with product label and test report.		
PACKING		
The SC-APC Singlemode Adapters are packaged in 10 numbers along with the Product Label.		
ORDERING INFORMATION		
Part Number	Description	Adapter
IFAASMSCS	Infinique SC APC Singlemode Simplex Adapter	Singlemode SC-APC
IFAASMSCD	Infinique SC APC Singlemode Duplex Adapter	Singlemode SC-APC
IFSAASMSCS	Infinique SC APC Singlemode Slim Simplex Adapter	Singlemode SC-APC



Infinique, a Canadian company is a manufacturer of high performing end-to-end solutions in copper, fiber and video surveillance systems. For more information visit our website at www.infinique.com or email us at sales@infinique.com.