

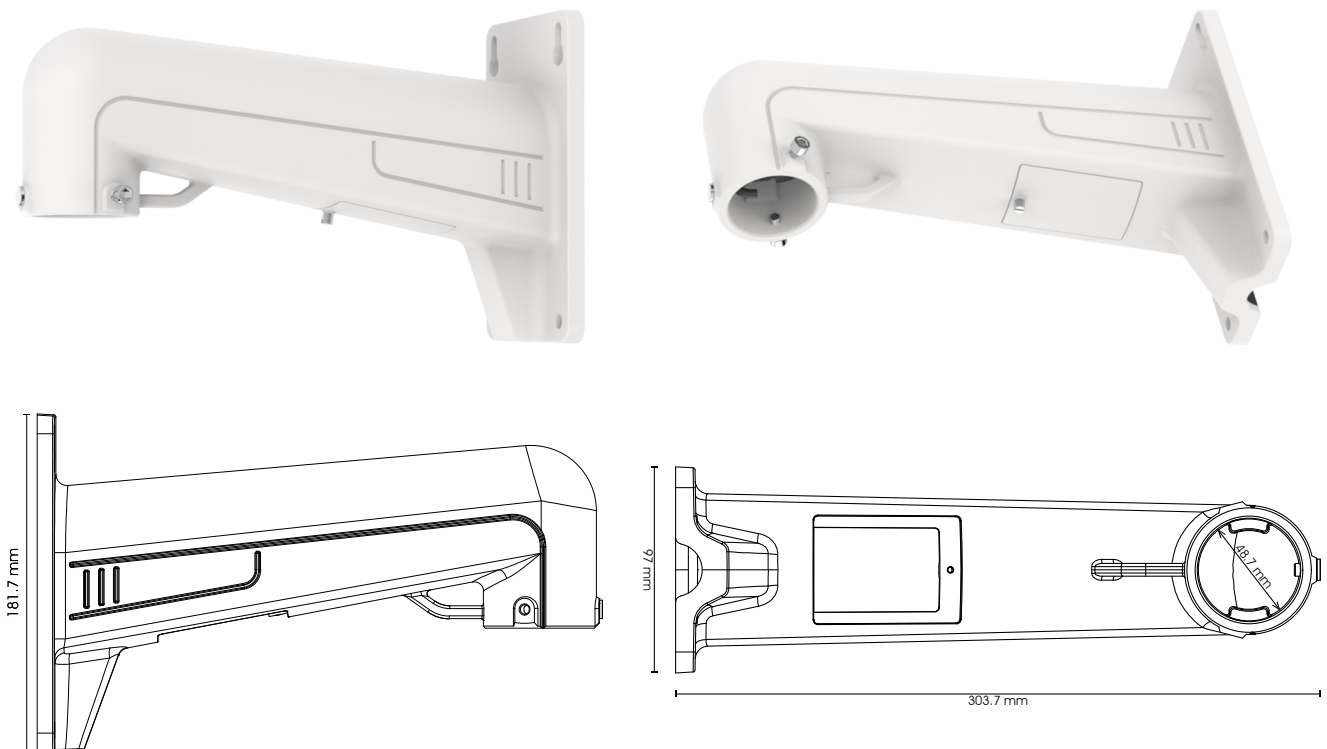
IBMSWM

IP Multi Sensor Wall Mount Bracket

Infinique’s IBMSWM Multi Sensor Camera Wall Mount Bracket provides an easy and effective way to mount video surveillance multi sensor cameras in the wall. The Wall Mount Bracket is waterproof and protects the Ethernet connectors from moisture and dust. It safely conceals all the cabling giving the finished installation an aesthetic look. These brackets are suitable for installation both indoor and outdoor environment.

Product Features

- Multi Sensor Camera Wall Mount Bracket
- IP66/IP67 Rated
- Vandal Resistant with IK10 Ratings
- Aluminum Alloy Die-Cast Casing
- White Powder Coat RAL 9003
- Dimensions 97 (L) x 181.7 (W) x 303.7 (H) mm
- Weight 1110 gms



ORDERING INFORMATION	
PART NUMBER	DESCRIPTION
IBMSWM	Infinique Multi Sensor Camera Wall Mount Bracket, (L) x (W) x (H) mm

Infinique, a Canadian company is a manufacturer of high performing end-to-end solutions in copper, fiber and video surveillance systems. For more information visit our website at www.infinique.com or email us at sales@infinique.com.