

# Structured Cabling Product Catalog





## Since 2002

Infinique started as designer and manufacturer of video surveillance solutions, when video was predominantly analog.

As our products evolved and transitioned to digital video over IP there was a need for quality network backbone cabling and components to support the bandwidth intensive application.

The end result was Infinique providing complete structured cabling solution to support video applications and beyond.

## Open Architecture That Can Address Your Current And Future Security Needs

Infinique offers an end-to-end copper and fiber solution that meets and exceeds the latest industry standards for data and telecommunication networks and gigabit Ethernet. Our products are designed for reliability, optimal performance of current network infrastructure and provides foundation for future growth.

### Copper Cables

Infinique provides a wide range of copper cables for use in high-speed data transmission and telephony. The cables are UL listed for safety and Intertek ETL verified for performance and meet or exceed the cabling industry standards.

### Copper Components

The copper system product line is complemented with various high quality performing components like patch cords, patch panels, keystone jacks and RJ45 plugs that are used in video, data and voice network infrastructure.

### Accessories

To complement the copper systems product line, we offer face plates, floor brackets, unloaded panels, cable management and enclosures.

### Fiber Optic Cables

Our fiber optic cabling solution assures superior performance and smooth operation of network reducing the total cost of ownership. The product line includes a complete range of multimode, singlemode FTTH and backbone cables in various constructions, suitable for both indoor and outdoor applications. Infinique fiber optic cables are UL listed for OFCR and OFNR safety standards and are third party certified for performance.

### Fiber Optic Components

Fiber components product line of Infinique comprises of adapters, field connectors, pre-terminated pigtails, patch cords, PLC splitters, micro ODFs, mini ODFs, direct splice cabinets, wall mount cabinets, patch panels, high density chassis, high density splitter cabinets and MPO/MPT solution. All components are factory terminated and fully tested to ensure fast deployment and excellent reliability.

# TABLE OF CONTENTS

## **COPPER SYSTEMS**

### **Ethernet Cables**

Category 8.1

Category 7

Category 6A

Category 6

### **Keystone Jacks**

Category 8.1

Category 6A

Category 6

### **Patch Cords**

Category 8.1

Category 6A

Category 6

### **Patch Panels**

Unloaded

Loaded

### **Voice Solutions**

Category 3 Cable

Voice Patch Panel

Category 5e, 110 Type Connectors

### **Face Plates and Modules**

UK Style

NA Style

Floor Mount

### **Cable Managers**

Ring

Panel

### **Accessories**

RJ45 Plugs

## **FIBER SYSTEMS**

### **Fiber Cables**

FTTH

Central Loose Tube

Stranded Loose Tube

Stranded Rodent Resistant

Stranded Armored

Steel Wire Armored

Distribution

### **Fiber Components**

Fiber Patch Cord

Fiber Pigtail

Fiber Adapter

### **Fiber Enclosures**

Fiber Patch Panel

Optical Distribution Frame

Splice Enclosure

### **PLC Optical Splitter**

SC APC

LC APC

### **Accessories**

Splice Protection Sleeve

Splice Tray

Blanking Plug



# ETHERNET CABLES



Category 8.1 SFTP

Features

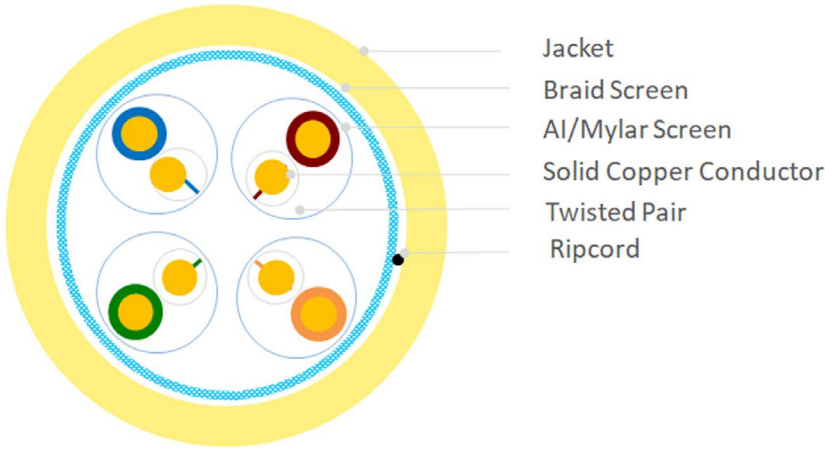


Category 8.1 SFTP Cable 4 Pair 100 ohms  
EC Verified IEC 61156-5:2020 TIA-568.2-D:2018 Category 8.1  
UL Listed, RoHS Compliant  
2000 MHz for 30 m Channels 25G/40G  
Supports PoE, PoE+, PoE++  
Packing Type is Reel

Part Number	Description	Jacket	Length	Color	Explore
INC81S4YWL-500	Cat.8.1 SFTP Cable	LSOH	500m/1640ft	Yellow, RAL1026	
INC81S4YWL-305	Cat.8.1 SFTP Cable	LSOH	305m/1000ft	Yellow, RAL1026	
INC81S4YWL-153	Cat.8.1 SFTP Cable	LSOH	153m/500ft	Yellow, RAL1026	
INC81S4YWR-500	Cat.8.1 SFTP Cable	CMX	500m/1640ft	Yellow, RAL1026	
INC81S4YWR-305	Cat.8.1 SFTP Cable	CMX	305m/1000ft	Yellow, RAL1026	
INC81S4YWR-153	Cat.8.1 SFTP Cable	CMX	153m/500ft	Yellow, RAL1026	

Custom cable color available

Cable Construction





Category 7 SFTP

Features

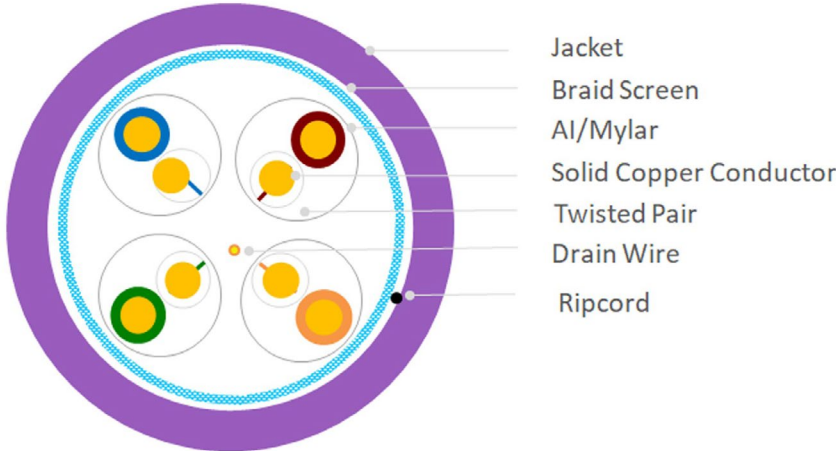


Category 7 SFTP Cable 4 Pair 100 ohms  
ETL Verified IEC 61156-5, ISO/IEC 11801-1  
UL Listed, RoHS Compliant  
1000 MHz for 100 m Channels in 10GBase-T  
Supports PoE, PoE+, PoE++  
Packing Type is Reel

Part Number	Description	Jacket	Length	Color	Explore
INC7S4PRL-500	Cat.7 SFTP Cable	LSOH	500m/1640ft	Purple, RAL 4008	
INC7S4PRL-305	Cat.7 SFTP Cable	LSOH	305m/1000ft	Purple, RAL 4008	
INC7S4PRL-153	Cat.7 SFTP Cable	LSOH	153m/500ft	Purple, RAL 4008	
INC7S4PRR-500	Cat.7 SFTP Cable	CMX	500m/1640ft	Purple, RAL 4008	
INC7S4PRR-305	Cat.7 SFTP Cable	CMX	305m/1000ft	Purple, RAL 4008	
INC7S4PRR-153	Cat.7 SFTP Cable	CMX	153m/500ft	Purple, RAL 4008	

Custom cable color available

Cable Construction





### Category 6A UTP

#### Features

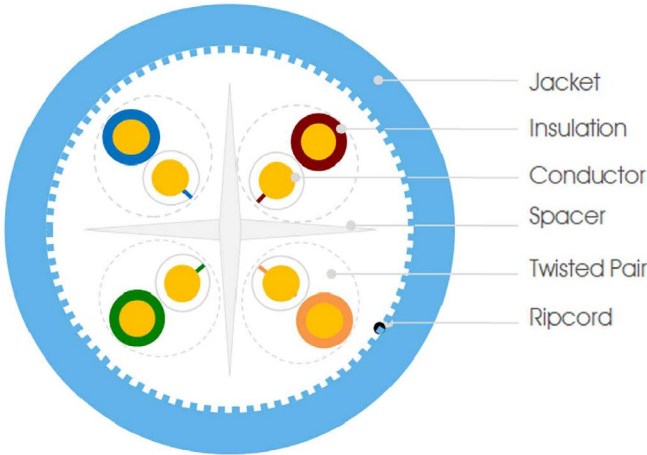


Category 6A Cable 4 Pair UTP 100 ohms  
 ETL Verified to ANSI TIA-568-C.2,  
 ISO IEC 11801 and EN 50173-1 Category 6A  
 UL Listed, RoHS Compliant  
 550 MHz for 100 m Channels in 10GBase-T  
 Supports PoE, PoE+, PoE++  
 Packing Type is Reel

Part Number	Description	Jacket	Length	Color	Explore
<b>INC6AU4IBL-500</b>	Cat.6A UTP Cable	LSOH	500m/1640ft	Gray, RAL 7035	
<b>INC6AU4IBL-305</b>	Cat.6A UTP Cable	LSOH	305m/1000ft	Gray, RAL 7035	
<b>INC6AU4IBL-153</b>	Cat.6A UTP Cable	LSOH	153m/500ft	Gray, RAL 7035	
<b>INC6AU4IBR-500</b>	Cat.6A UTP Cable	CMX	500m/1640ft	Gray, RAL 7035	
<b>INC6AU4IBR-305</b>	Cat.6A UTP Cable	CMX	305m/1000ft	Gray, RAL 7035	
<b>INC6AU4IBR-153</b>	Cat.6A UTP Cable	CMX	153m/500ft	Gray, RAL 7035	

Custom color available at request

#### Cable Construction







### Category 6A UTP

#### Features

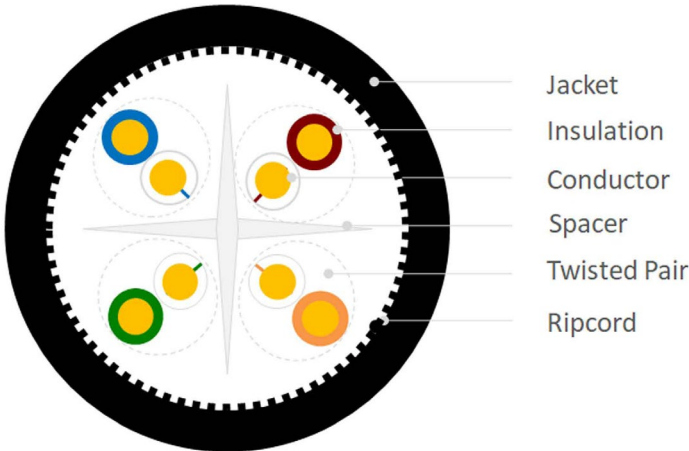


Category 6A Outdoor Cable 4 Pair UTP 100 ohms  
 ETL Verified to ANSI TIA-568-C.2,  
 ISO IEC 11801 and EN 50173-1 Category 6A  
 UL Listed, RoHS Compliant  
 550 MHz for 100 m Channels in 10GBase-T  
 Supports PoE, PoE+, PoE++  
 Packing Type is Reel

Part Number	Description	Jacket	Length	Color	Explore
<b>INC6AU4BKO-500</b>	Cat.6A UTP Cable	PE	500m/1640ft	Black, RAL 9005	
<b>INC6AU4BKO-305</b>	Cat.6A UTP Cable	PE	305m/1000ft	Black, RAL 9005	
<b>INC6AU4BKO-153</b>	Cat.6A UTP Cable	PE	153m/500ft	Black, RAL 9005	

Custom cable color available

#### Cable Construction





Category 6A UFTP

Features

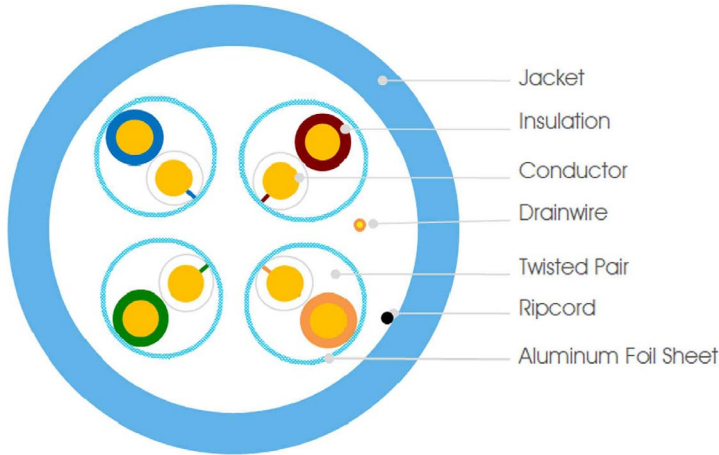


Category 6A Cable 4 Pair UFTP 100 ohms  
ETL Verified to ANSI TIA-568-C.2,  
ISO IEC 11801 and EN 50173-1 Category 6A  
UL Listed, RoHS Compliant  
550 MHz for 100 m Channels in 10GBase-T  
Supports PoE, PoE+, PoE++  
Packing Type is Reel

Part Number	Description	Jacket	Length	Color	Explore
INC6AF4IBRL-500	Cat.6A UFTP Cable	LSOH	500m/1640ft	Gray, RAL 7035	
INC6AF4IBRL-305	Cat.6A UFTP Cable	LSOH	305m/1000ft	Gray, RAL 7035	
INC6AF4IBRL-153	Cat.6A UFTP Cable	LSOH	153m/500ft	Gray, RAL 7035	
INC6AF4IBR-500	Cat.6A UFTP Cable	CMX	500m/1640ft	Gray, RAL 7035	
INC6AF4IBR-305	Cat.6A UFTP Cable	CMX	305m/1000ft	Gray, RAL 7035	
INC6AF4IBR-153	Cat.6A UFTP Cable	CMX	153m/500ft	Gray, RAL 7035	

Custom cable color available

Cable Construction





### Category 6A FUTP

#### Features

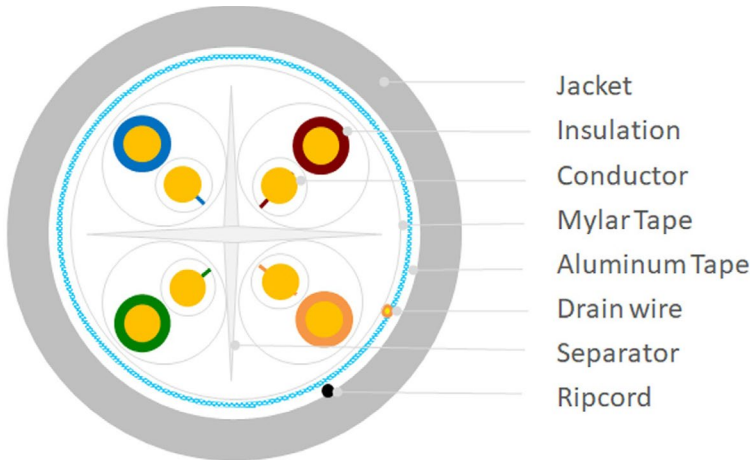


Category 6A Cable 4 Pairs FUTP 100 ohms  
 ETL Verified to ANSI TIA-568-C.2,  
 ISO IEC 11801 and EN 50173-1 Category 6A  
 UL Listed, RoHS Compliant  
 550 MHz for 100 m Channels in 10GBase-T  
 Supports PoE, PoE+, PoE++  
 Packing Type is Reel

Part Number	Description	Jacket	Length	Color	Explore
<b>INC6AFU4GYL-500</b>	Cat.6A FUTP Cable	LSOH	500m/1640ft	Gray, RAL 7035	
<b>INC6AFU4GYL-305</b>	Cat.6A FUTP Cable	LSOH	305m/1000ft	Gray, RAL 7035	
<b>INC6AFU4GYL-153</b>	Cat.6A FUTP Cable	LSOH	153m/500ft	Gray, RAL 7035	
<b>INC6AFU4GYR-500</b>	Cat.6A FUTP Cable	CMX	500m/1640ft	Gray, RAL 7035	
<b>INC6AFU4GYR-305</b>	Cat.6A FUTP Cable	CMX	305m/1000ft	Gray, RAL 7035	
<b>INC6AFU4GYR-153</b>	Cat.6A FUTP Cable	CMX	153m/500ft	Gray, RAL 7035	

Custom cable color available

#### Cable Construction





Category 6A FFTP

Features

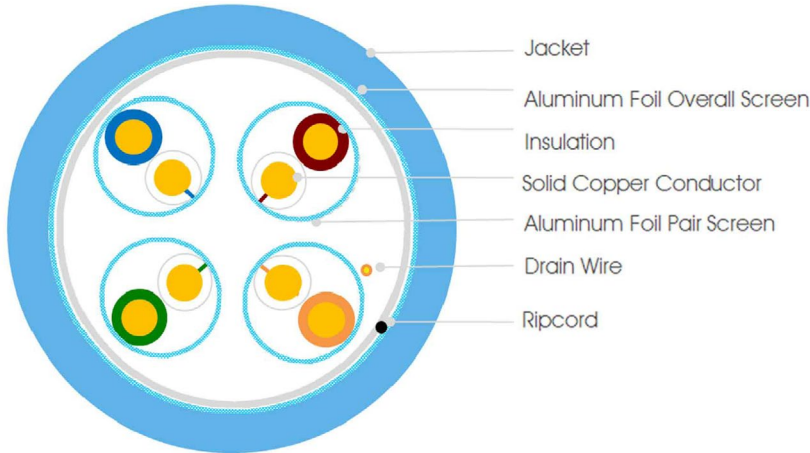


Category 6A Cable 4 Pair FFTP 100 ohms  
ETL Verified for performance as per ANSI/TIA-568-C.2,  
ISO/IEC 11801 and IEC-61156-5  
UL Listed, RoHS Compliant  
550 MHz for 100 m Channels in 10GBase-T  
Supports PoE, PoE+, PoE++  
Packing Type is Reel

Part Number	Description	Jacket	Length	Color	Explore
<b>INC6AFF4GYL-500</b>	Cat.6A FFTP Cable	LSOH	500m/1640ft	Gray, RAL 7035	
<b>INC6AFF4GYL-305</b>	Cat.6A FFTP Cable	LSOH	305m/1000ft	Gray, RAL 7035	
<b>INC6AFF4GYL-153</b>	Cat.6A FFTP Cable	LSOH	153m/500ft	Gray, RAL 7035	
<b>INC6AFF4GYR-500</b>	Cat.6A FFTP Cable	CMX	500m/1640ft	Gray, RAL 7035	
<b>INC6AFF4GYR-305</b>	Cat.6A FFTP Cable	CMX	305m/1000ft	Gray, RAL 7035	
<b>INC6AFF4GYR-153</b>	Cat.6A FFTP Cable	CMX	153m/500ft	Gray, RAL 7035	

Custom cable color available

Cable Construction





Category 6A SFTP

Features

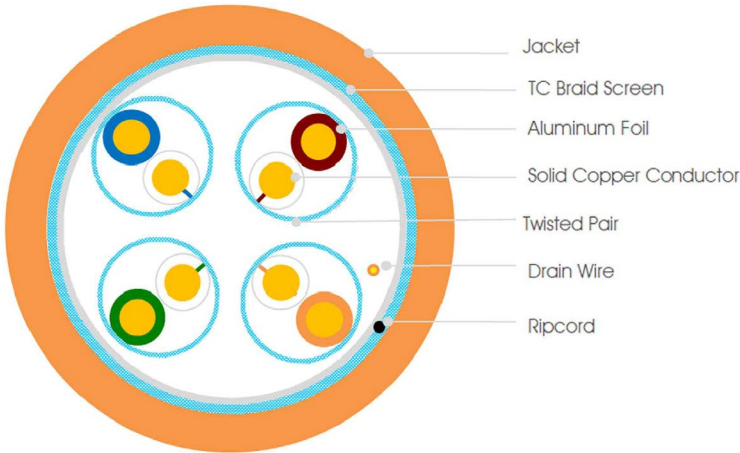


Category 6A Cable 4 Pair SFTP 100 ohms  
ETL Verified to ANSI TIA-568-C.2,  
ISO IEC 11801 and EN 50173-1 Category 6A  
UL Listed, RoHS Compliant  
550 MHz for 100 m Channels in 10GBase-T  
Supports PoE, PoE+, PoE++  
Packing Type is Reel

Part Number	Description	Jacket	Length	Color	Explore
INC6AS4IBL-500	Cat.6A SFTP Cable	LSOH	500m/1640ft	Gray, RAL 7035	
INC6AS4IBL-305	Cat.6A SFTP Cable	LSOH	305m/1000ft	Gray, RAL 7035	
INC6AS4IBL-153	Cat.6A SFTP Cable	LSOH	153m/500ft	Gray, RAL 7035	
INC6AS4IBR-500	Cat.6A SFTP Cable	CMX	500m/1640ft	Gray, RAL 7035	
INC6AS4IBR-305	Cat.6A SFTP Cable	CMX	305m/1000ft	Gray, RAL 7035	
INC6AS4IBR-153	Cat.6A SFTP Cable	CMX	153m/500ft	Gray, RAL 7035	

Custom cable color available

Cable Construction





Category 6 UTP

Features

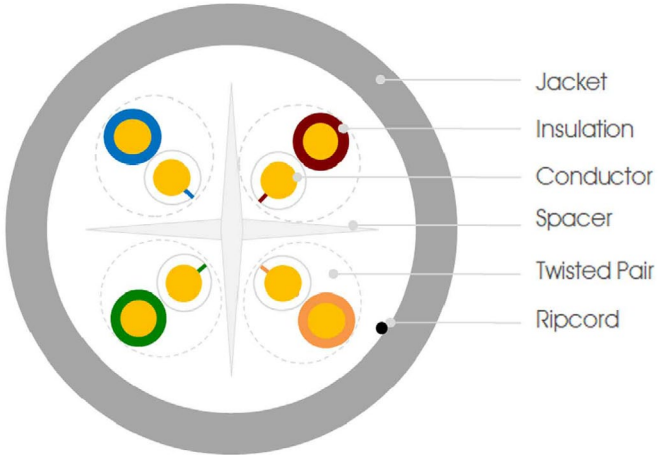


Category 6 Cable 4 Pair UTP 23AWG 100 ohms  
ETL Verified to ANSI TIA-568-C.2,  
ISO IEC 11801 and EN 50173-1 Category 6  
UL Listed, RoHS Compliant  
250 MHz for 100 m Channels in 10GBase-T  
Supports PoE, PoE+, PoE++  
Packing Type is Reel

Part Number	Description	Jacket	Length	Color	Explore
INC6U4GYRL-500	Cat.6 UTP Cable	LSOH	500m/1640ft	Gray, RAL 7035	
INC6U4GYRL-305	Cat.6 UTP Cable	LSOH	305m/1000ft	Gray, RAL 7035	
INC6U4GYRL-153	Cat.6 UTP Cable	LSOH	153m/500ft	Gray, RAL 7035	

Custom cable color available

Cable Construction





### Category 6 UTP

#### Features

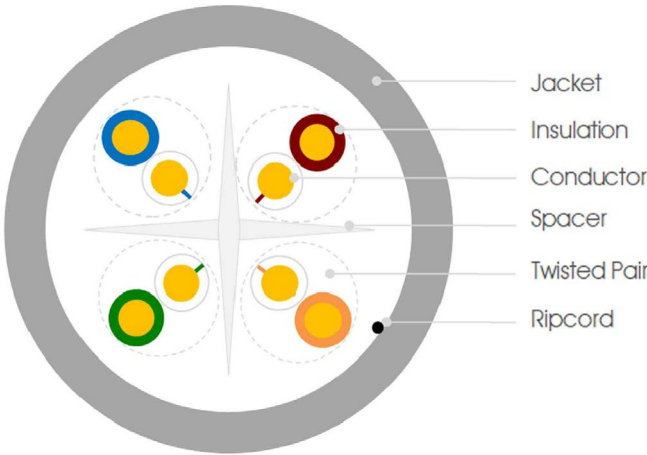


Category 6 Cable 4 Pair UTP 24 AWG 100 ohms  
 ETL Verified to ANSI TIA-568-C.2,  
 ISO IEC 11801 and EN 50173-1 Category 6  
 UL Listed, RoHS Compliant  
 250 MHz for 100 m Channels in 10GBase-T  
 Supports PoE, PoE+, PoE++  
 Packing Type is Reel

Part Number	Description	Jacket	Length	Color	Explore
<b>INC6U4GYRC-500</b>	Cat.6 UTP Cable	CMX	500m/1640ft	Gray, RAL 7035	
<b>INC6U4GYRC-305</b>	Cat.6 UTP Cable	CMX	305m/1000ft	Gray, RAL 7035	
<b>INC6U4GYRC-153</b>	Cat.6 UTP Cable	CMX	153m/500ft	Gray, RAL 7035	

Custom cable color available

#### Cable Construction





### Category 6 UFTP

#### Features

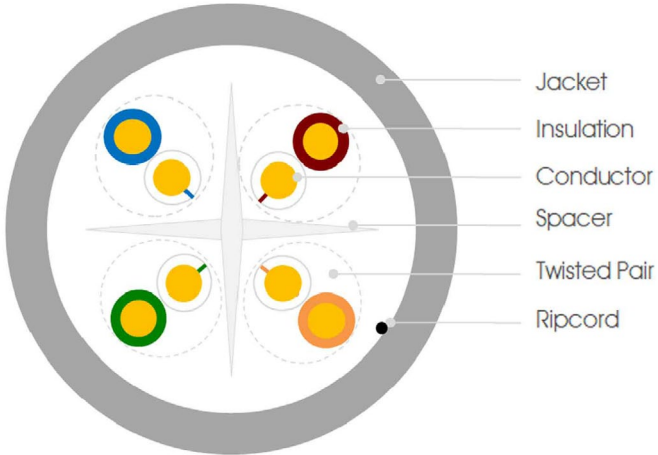


Category 6 Cable 4 Pair UFTP 23AWG 100 ohms  
 ETL Verified to ANSI TIA-568-C.2,  
 ISO IEC 11801 and EN 50173-1 Category 6  
 UL Listed, RoHS Compliant  
 250 MHz for 100 m Channels in 10GBase-T  
 Supports PoE, PoE+, PoE++  
 Packing Type is Reel

Part Number	Description	Jacket	Length	Color	Explore
<b>INC6F4GYL-500</b>	Cat.6 UFTP Cable	LSOH	500m/1640ft	Gray, RAL 7035	
<b>INC6F4GYL-305</b>	Cat.6 UFTP Cable	LSOH	305m/1000ft	Gray, RAL 7035	
<b>INC6F4GYL-153</b>	Cat.6 UFTP Cable	LSOH	153m/500ft	Gray, RAL 7035	

Custom cable color available

#### Cable Construction







### Category 6 FUTP

#### Features

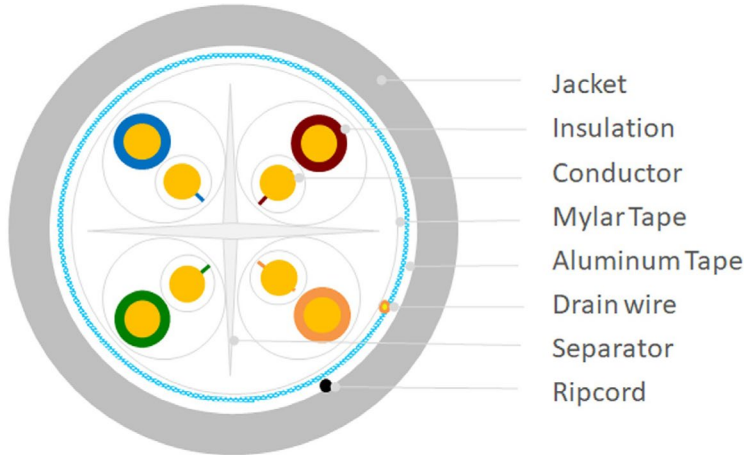


Category 6 Cable 4 Pair FUTP 23 AWG 100 ohms  
 ETL Verified to ANSI TIA-568-C.2,  
 ISO IEC 11801 and EN 50173-1 Category 6  
 250 MHz for 100 m Channels in 10GBase-T  
 Supports PoE, PoE+, PoE++  
 Packing Type is Reel

Part Number	Description	Jacket	Length	Color	Explore
<b>INC6FU4GYL-500</b>	Cat.6 FUTP Cable	LSOH	500m/1640ft	Gray, RAL 7035	
<b>INC6FU4GYL-305</b>	Cat.6 FUTP Cable	LSOH	305m/1000ft	Gray, RAL 7035	
<b>INC6FU4GYL-153</b>	Cat.6 FUTP Cable	LSOH	153m/500ft	Gray, RAL 7035	
<b>INC6FU4GYR-500</b>	Cat.6 FUTP Cable	CMX	500m/1640ft	Gray, RAL 7035	
<b>INC6FU4GYR-305</b>	Cat.6 FUTP Cable	CMX	305m/1000ft	Gray, RAL 7035	
<b>INC6FU4GYR-153</b>	Cat.6 FUTP Cable	CMX	153m/500ft	Gray, RAL 7035	

Custom cable color available

#### Cable Construction





# KEYSTONE JACKS



Category 8.1 Shielded Jacks

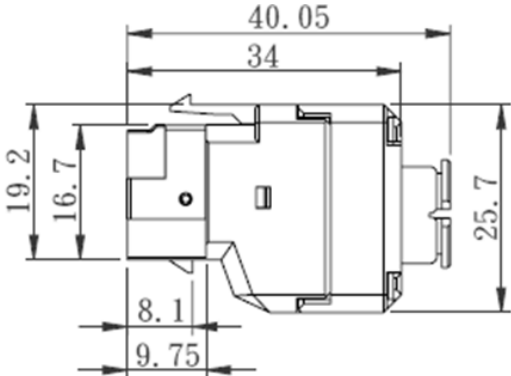
Features



Cat.8.1 STP 90 Degree Tool-Less Keystone Jack  
ETL Verified to ANSI/TIA-568.2-D and  
ISO/IEC 11801 Category 8.1  
25GBASE-T / 40GBASE-T Ethernet  
T568A and T568B Universal Wiring Schemes  
Accepts 22- 26 AWG Conductors  
UL94V-0 Material, RoHS Compliant  
Packing Type is 5 Units

Part Number	Description	Orientation	Color	Explore
INKJ81T90S-05	Cat.8.1 STP Jack	90 Degree	Silver	

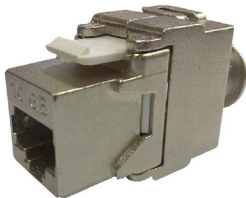
Dimensions





Category 6A Shielded Jacks

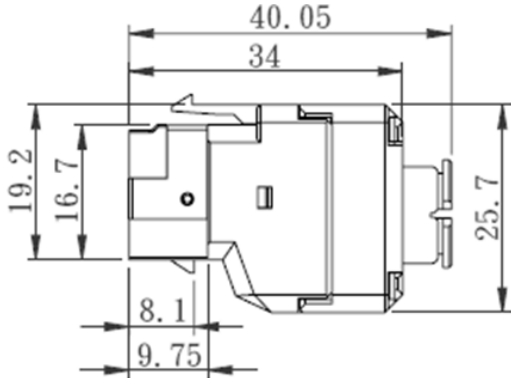
Features



Cat.6A Shielded 180 Degree Keystone Steel Jack  
 ETL Verified to ANSI TIA-568-C.2, ISO IEC 11801 and  
 EN 50173-1 Category 6A  
 10G+ Ethernet  
 T568A and T568B Universal Wiring Schemes  
 Accepts 22 - 24 AWG Conductors  
 UL94V-0 Material, RoHS Compliant  
 Packing Type is 5 Units

Part Number	Description	Orientation	Color	Explore
INKJ6A180S-05	Cat.6A STP Jack	180 Degree	Silver	

Dimensions





Category 6A UTP Jacks

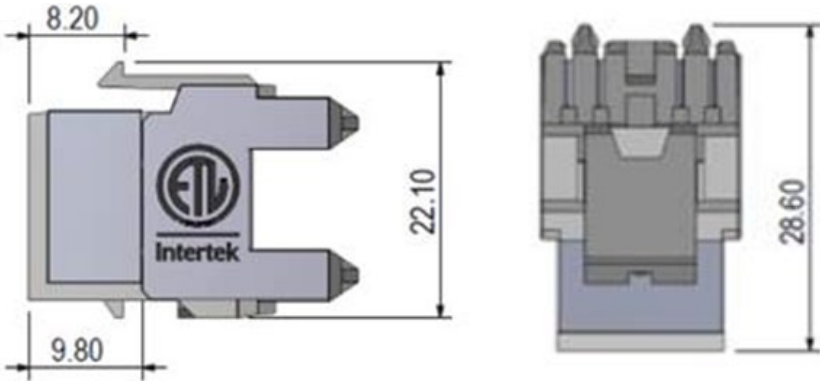


Features

- Cat.6A UTP 180 Degree Keystone Jack
- ETL Verified to ANSI TIA-568-C.2, ISO IEC 11801 and EN 50173-1 Category 6A
- 10G+ Ethernet
- T568A and T568B Universal Wiring Schemes
- Accepts 22 - 26 AWG Conductors
- UL94V-0 Material, RoHS Compliant
- Packing Type is 10 Units

Part Number	Description	Orientation	Color	Explore
INKJ6A180BK-10	Cat.6A UTP Jack	180 Degree	Black, RAL 9005	
INKJ6A180WH-10	Cat.6A UTP Jack	180 Degree	White, RAL 9001	

Dimensions





Category 6A UTP Jacks

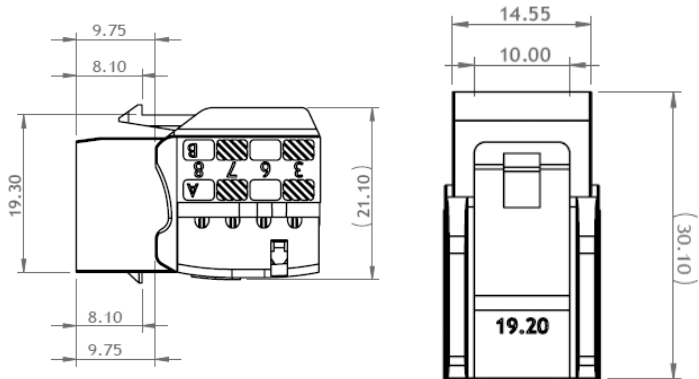
Features



Cat.6A UTP 90 Degree Keystone White Jack  
 Standards complied to ANSI TIA-568-C.2,  
 ISO IEC 11801 and EN 50173-1 Category 6  
 10GBase-T applications in accordance  
 with IEEE 802.3an up to 500 MHz  
 T568A and T568B Universal Wiring Schemes  
 Accepts 22 - 26 AWG Conductors  
 UL94V-0 Material, RoHS Compliant  
 Packing Type is 10 Units

Part Number	Description	Orientation	Color	Explore
INKJ6A90WH-10	Cat.6A UTP Jack	90 Degree	White, RAL 9001	

Dimensions





Category 6A UTP Jacks

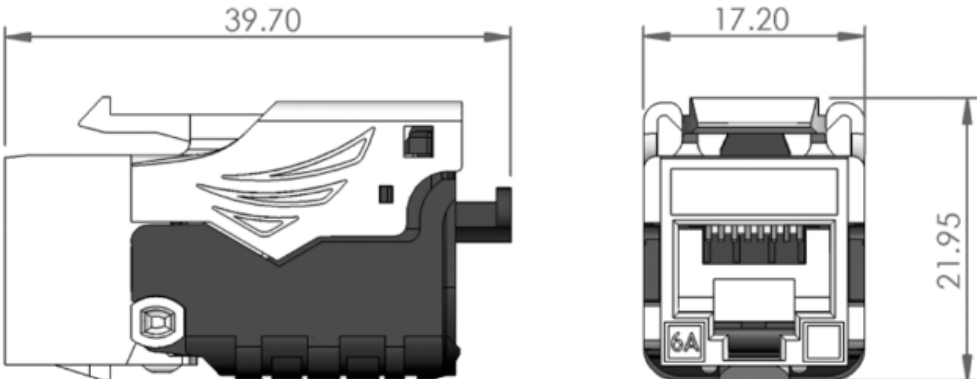


Features

Cat.6A UTP 90 Degree Tool-Less Jack  
 ETL Verified to ANSI TIA-568-C.2, ISO IEC 11801 and  
 EN 50173-1 Category 6A  
 10G+ Ethernet  
 T568A and T568B Universal Wiring Schemes  
 Accepts 22 - 26 AWG Conductors  
 UL94V-0 Material, RoHS Compliant  
 Packing Type is 10 Units

Part Number	Description	Orientation	Color	Explore
INKJ6AT90WH-10	Cat.6A UTP Jack	90 Degree	White, RAL 9001	

Dimensions





Category 6 Shielded Jacks

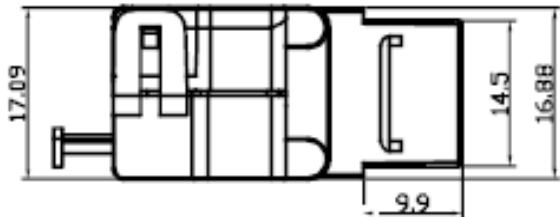
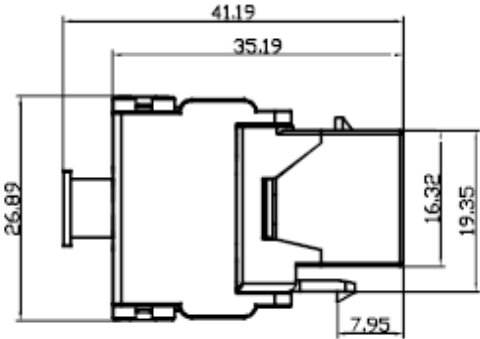
Features



Cat.6 Shielded 180 Degree Keystone Steel Jack  
 ETL Verified to ANSI TIA-568-C.2, ISO IEC 11801 and EN 50173-1 Category 6  
 10GBase-T applications in accordance with IEEE 802.3an up to 500 MHz  
 T568A and T568B Universal Wiring Schemes  
 Accepts 22 - 24 AWG Conductors  
 UL94V-0 Material, RoHS Compliant  
 Packing Type is 5 Units

Part Number	Description	Orientation	Color	Explore
INKJ6D180S-05	Cat.6 STP Jack	180 Degree	Steel	

Dimensions







Category 6 UTP Jacks

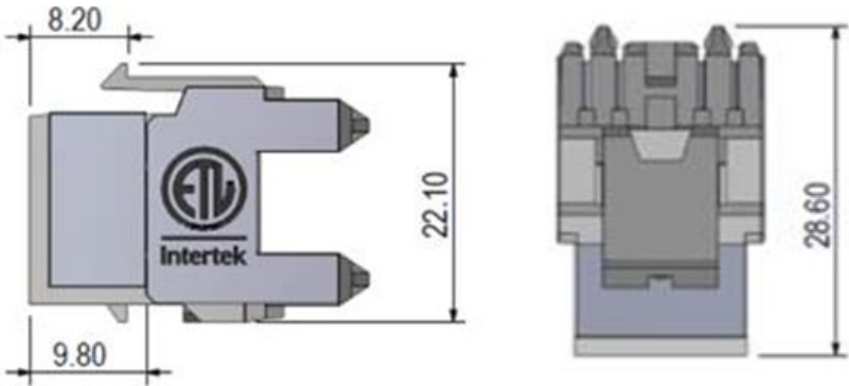
Features



Cat.6 UTP 180 Degree Keystone Jack  
 ETL Verified to ANSI TIA-568-C.2,  
 ISO IEC 11801 and EN 50173-1 Category 6  
 10GBase-T applications in accordance  
 with IEEE 802.3an up to 500 MHz  
 T568A and T568B Universal Wiring Schemes  
 Accepts 22 - 26 AWG Conductors  
 UL94V-0 Material, RoHS Compliant  
 Packing Type is 10 Units

Part Number	Description	Orientation	Color	Explore
INKJ6D180BB-10	Cat.6 UTP Jack	180 Degree	Black, RAL 9005	

Dimensions





Category 6 UTP Jacks

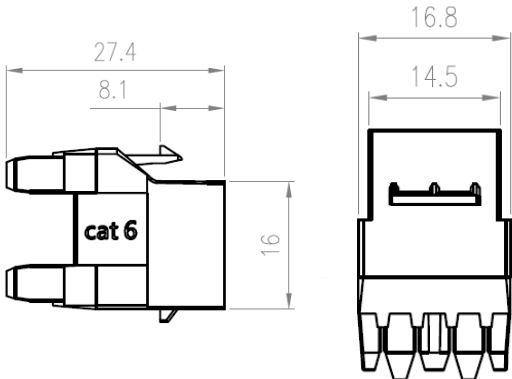
Features



Cat.6 UTP 180 Degree Keystone Jack  
 Standards complied to ANSI TIA-568-C.2,  
 ISO IEC 11801 and EN 50173-1 Category 6  
 10GBase-T applications in accordance  
 with IEEE 802.3an up to 500 MHz  
 T568A and T568B Universal Wiring Schemes  
 Accepts 22 - 26 AWG Conductors  
 UL94V-0 Material, RoHS Compliant  
 Packing Type is 10 Units

Part Number	Description	Orientation	Color	Explore
INKJ6D180BK-10	Cat.6 UTP Jack	180 Degree	Black, RAL 9005	
INKJ6D180WH-10	Cat.6 UTP Jack	180 Degree	White, RAL 9001	

Dimensions





Category 6 UTP Jacks

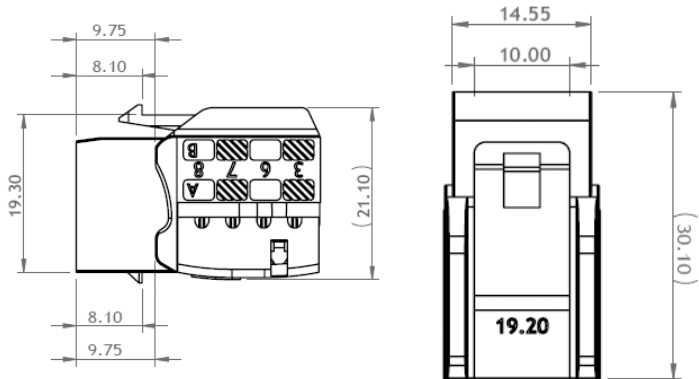
Features



Cat.6 UTP 90 Degree Keystone White Jack  
 Standards complied to ANSI TIA-568-C.2,  
 ISO IEC 11801 and EN 50173-1 Category 6  
 10GBase-T applications in accordance  
 with IEEE 802.3an up to 500 MHz  
 T568A and T568B Universal Wiring Schemes  
 Accepts 22 - 24 AWG Conductors  
 UL94V-0 Material, RoHS Compliant  
 Packing Type is 10 Units

Part Number	Description	Orientation	Color	Explore
INKJ6D90WH-10	Cat.6 UTP Jack	90 Degree	White, RAL 9001	

Dimensions





Category 6 UTP Jacks

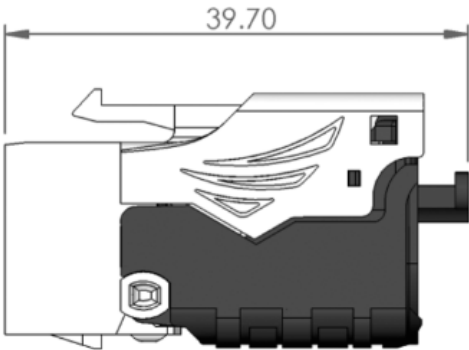
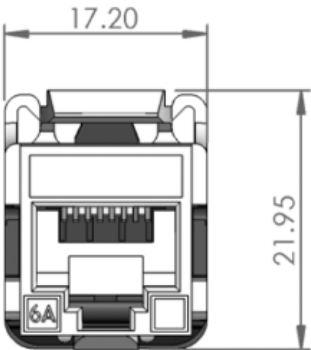


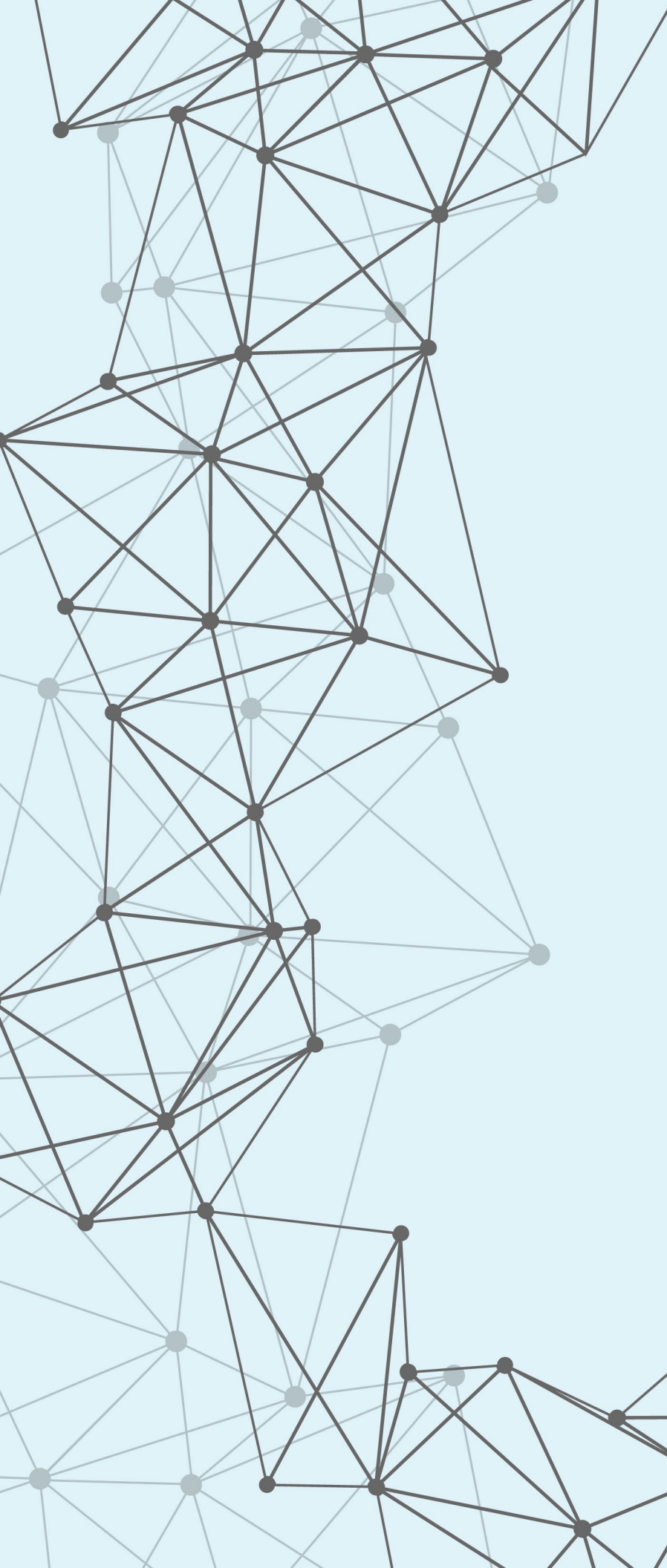
Features

Cat.6 UTP 90 Degree Tool-Less Jack  
 ETL Verified to ANSI TIA-568-C.2,  
 ISO IEC 11801 and EN 50173-1 Category 6  
 10GBase-T applications in accordance  
 with IEEE 802.3an up to 500 MHz  
 T568A and T568B Universal Wiring Schemes  
 Accepts 22 - 24 AWG Conductors  
 UL94V-0 Material, RoHS Compliant  
 Packing Type is 10 Units

Part Number	Description	Orientation	Color	Explore
INKJ6T90WH-10	Cat.6 UTP Jack	90 Degree	White, RAL 9001	

Dimensions



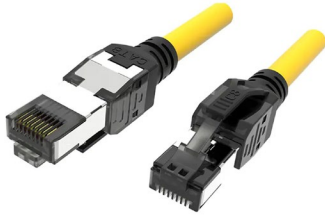


# PATCH CORDS



### Category 8.1

### Features

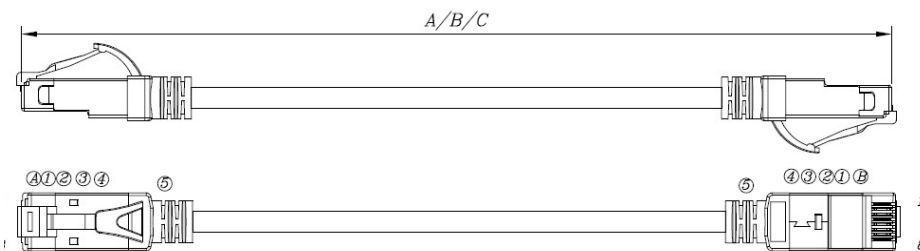


Cat.8.1 Shielded Patch Cord LSOH 24AWG  
 ETL Verified to ANSI/TIA-568.2-D,  
 ISO IEC 11801 and EN 50173-1 Category 8.1  
 25GBASE-T / 40GBASE-T Ethernet  
 Supports PoE, PoE+, PoE++  
 UL94V-2 Polycarbonate Housing  
 Packing Type is 1 Unit

Part Number	Description	Jacket	Length	Color	Explore
<b>INPC81SHA1YWL</b>	Cat.8.1 Patch Cord	LSOH	1M	Yellow, RAL 1026	
<b>INPC81SHA2YWL</b>	Cat.8.1 Patch Cord	LSOH	2M	Yellow, RAL 1026	
<b>INPC81SHA3YWL</b>	Cat.8.1 Patch Cord	LSOH	3M	Yellow, RAL 1026	

Custom color and length available

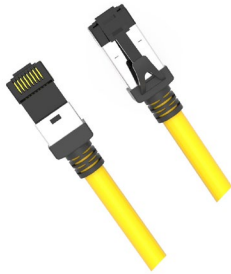
### Dimensions





### Category 8.1

### Features

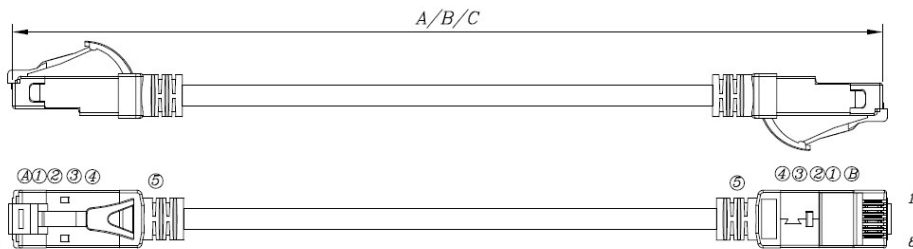


Cat.8.1 Shielded Patch Cord LSOH 26AWG  
 ETL Verified to ANSI/TIA-568.2-D,  
 ISO IEC 11801 and EN 50173-1 Category 8.1  
 25GBASE-T / 40GBASE-T Ethernet  
 Supports PoE, PoE+, PoE++  
 UL94V-2 Polycarbonate Housing  
 Packing Type is 1 Unit

Part Number	Description	Jacket	Length	Color	Explore
<b>INPC81SHC1GYL</b>	Cat.8.1 Patch Cord	LSOH	1M	Yellow, RAL 1026	
<b>INPC81SHC2GYL</b>	Cat.8.1 Patch Cord	LSOH	2M	Yellow, RAL 1026	
<b>INPC81SHC3GYL</b>	Cat.8.1 Patch Cord	LSOH	3M	Yellow, RAL 1026	

Custom color and length available

### Dimensions





### Category 6A Shielded

### Features

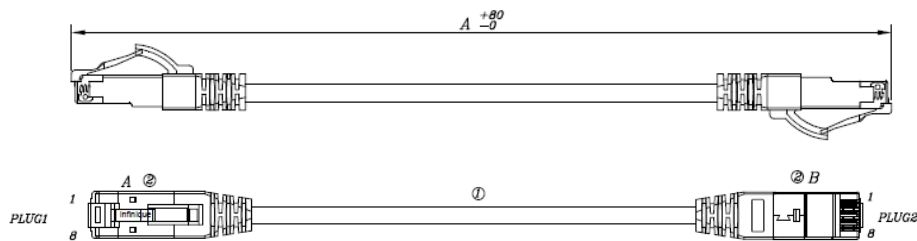


Cat.6A Shielded Patch Cord 1m, LSOH  
 ETL Verified to ANSI TIA-568-C.2,  
 ISO IEC 11801 and EN 50173-1 Category 6A  
 10GBase-T applications in accordance  
 with IEEE 802.3an up to 500 MHz  
 Supports PoE, PoE+, PoE++  
 UL94V-0 Polycarbonate Housing  
 Packing Type is 1 Unit

Part Number	Description	Jacket	Length	Color	Explore
INPC6ASHB1GYL	Cat.6A STP Patch Cord	LSOH	1M	Gray, RAL 7035	
INPC6ASHB2GYL	Cat.6A STP Patch Cord	LSOH	2M	Gray, RAL 7035	
INPC6ASHB3GYL	Cat.6A STP Patch Cord	LSOH	3M	Gray, RAL 7035	

Custom color and length available

### Dimensions







### Category 6A UTP

### Features

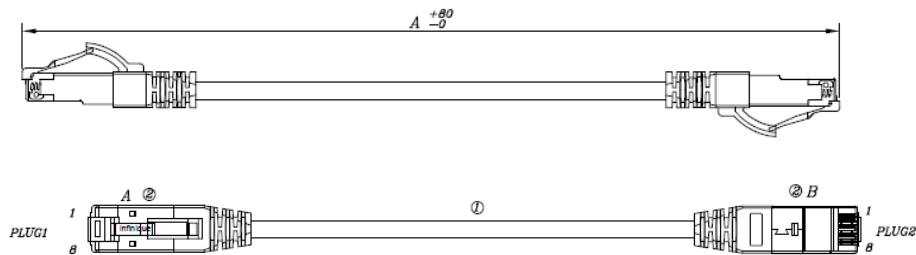


Cat.6A UTP Patch Cord, LSOH  
 ETL Verified to ANSI TIA-568-C.2,  
 ISO IEC 11801 and EN 50173-1 Category 6A  
 10GBase-T applications in accordance  
 with IEEE 802.3an up to 500 MHz  
 Supports PoE, PoE+, PoE++  
 UL94V-0 Polycarbonate Housing  
 Packing Type is 1 Unit

Part Number	Description	Jacket	Length	Color	Explore
INPC6AHB1IBL	Cat.6A UTP Patch Cord	LSOH	1M	Gray, RAL 7035	
INPC6AHB2IBL	Cat.6A UTP Patch Cord	LSOH	2M	Gray, RAL 7035	
INPC6AHB3IBL	Cat.6A UTP Patch Cord	LSOH	3M	Gray, RAL 7035	

Custom color and length available

### Dimensions





### Category 6 Shielded

### Features

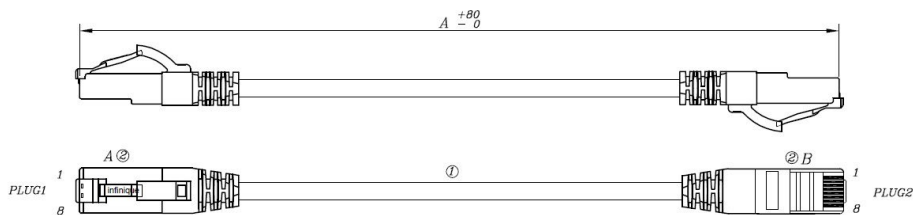


Cat.6 Shielded Patch Cord, LSOH  
 ETL Verified to ANSI TIA-568-C.2,  
 ISO IEC 11801 and EN 50173-1 Category 6  
 10GBase-T applications in accordance  
 with IEEE 802.3an up to 500 MHz  
 Supports PoE, PoE+, PoE++  
 UL94V-0 Polycarbonate Housing  
 Packing Type is 1 Unit

Part Number	Description	Jacket	Length	Color	Explore
INPC6SHB1GYL	Cat.6 STP Patch Cord	LSOH	1M	Gray, RAL 7035	
INPC6SHB2GYL	Cat.6 STP Patch Cord	LSOH	2M	Gray, RAL 7035	
INPC6SHB3GYL	Cat.6 STP Patch Cord	LSOH	3M	Gray, RAL 7035	

Custom color and length available

### Dimensions





## Category 6 UTP

### Features

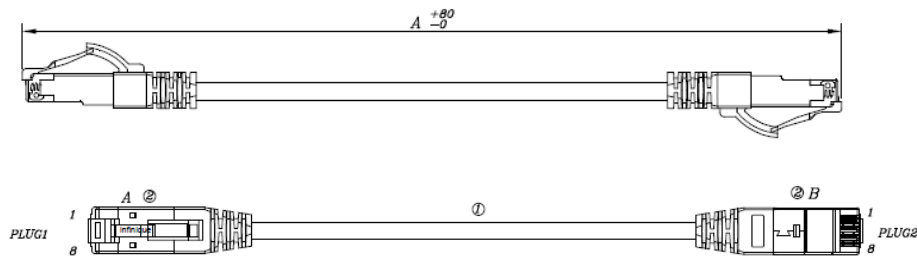


Cat.6 UTP Patch Cord, LSOH  
 ETL Verified to ANSI TIA-568-C.2,  
 ISO IEC 11801 and EN 50173-1 Category 6  
 10GBase-T applications in accordance  
 with IEEE 802.3an up to 500 MHz  
 Supports PoE, PoE+, PoE++  
 UL94V-0 Polycarbonate Housing  
 Packing Type is 1 Unit

Part Number	Description	Jacket	Length	Color	Explore
<b>INPC6HB1GYL</b>	Cat.6 UTP Patch Cord	LSOH	1M	Gray, RAL 7035	
<b>INPC6HB2GYL</b>	Cat.6 UTP Patch Cord	LSOH	2M	Gray, RAL 7035	
<b>INPC6HB3GYL</b>	Cat.6 UTP Patch Cord	LSOH	3M	Gray, RAL 7035	

Custom color and length available

### Dimensions





# PATCH PANELS



### Unloaded UTP Patch Panel

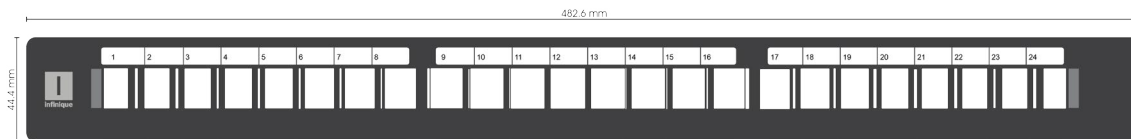
### Features



Unloaded Patch Panel, UTP, 24 Ports  
 Easy Identification with Individual Port Marking  
 Label Holders for circuit identification,  
 Rear Cable Management Bar for strain relief  
 Includes Rack Mounting Accessories and Cable Ties  
 UL94V-0 Material, RoHS Compliant  
 Packing Type is 1 Unit

Part Number	Description	Material	Rack Unit	Color	Explore
<b>INPPU24MB</b>	Unloaded Patch Panel 24 Ports	Steel	1U	Black, RAL 9004	

### Dimensions





### Unloaded UTP Patch Panel

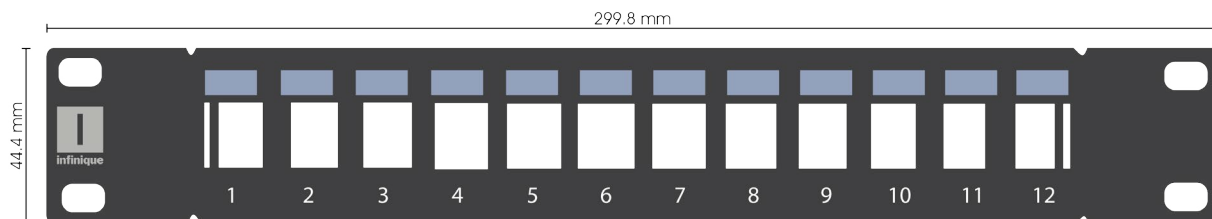
### Features



Cat.6, 6A UTP Unloaded Patch Panel, 12 Ports, 1U  
 Easy Identification with Individual Port Marking  
 Label Holders for circuit identification  
 Includes Rack Mounting Accessories and Cable Ties  
 UL94V-0 Material, RoHS Compliant  
 Packing Type is 1 Unit

Part Number	Description	Material	Rack Unit	Color	Explore
<b>INPPU12MB</b>	Unloaded Patch Panel 12 Ports	Steel	1U	Black, RAL 9004	

### Dimensions





### Unloaded UTP Patch Panel

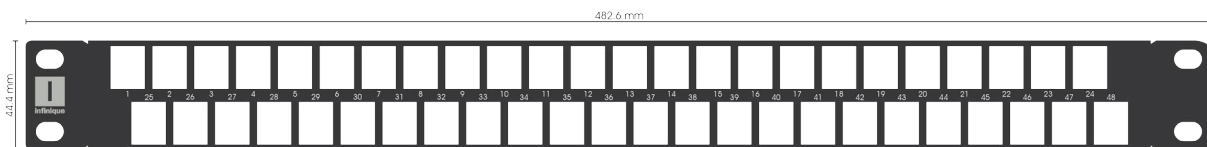
### Features



Unloaded Patch Panel, UTP, 48 Ports, 1U  
 Easy Identification with Individual Port Marking  
 Rear Cable Management Bar for strain relief  
 Includes Rack Mounting Accessories and Cable Ties  
 UL94V-0 Material, RoHS Compliant  
 Packing Type is 1 Unit

Part Number	Description	Material	Rack Unit	Color	Explore
INPPU48MB	Unloaded Patch Panel 48 Ports	Steel	1U	Black, RAL 9004	

### Dimensions





### Unloaded STP Patch Panel

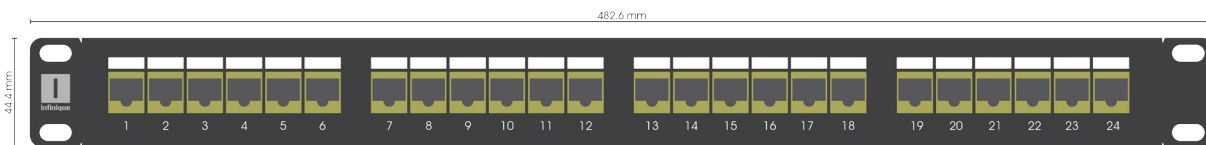
### Features



Unloaded Patch Panel, STP, 24 Ports, 1U  
 Easy Identification with Individual Port Marking  
 Label Holders for circuit identification,  
 Rear Cable Management Bar for strain relief  
 Includes Rack Mounting Accessories and Cable Ties  
 UL94V-0 Material, RoHS Compliant  
 Packing Type is 1 Unit

Part Number	Description	Material	Rack Unit	Color	Explore
INPPU24MBS	Unloaded Patch Panel 24 Ports	Steel	1U	Black, RAL 9004	

### Dimensions







### Cat 6A Loaded Shielded Patch Panel

#### Features



Cat.6A STP Loaded Patch Panel, 24 Ports, 1U  
 ANSI/TIA-568-C.2, ISO/IEC 11801 Standards  
 Color coding for T568A and T568B wiring scheme  
 Label Holders, Rear Cable Management Bar,  
 Rack Mounting Accessories and Cable Ties  
 UL94V-0 Material, RoHS Compliant  
 Packing Type is 1 Unit

Part Number	Description	Material	Rack Unit	Color	Explore
INPP6A24S	Cat.6A Patch Panel 24 Ports	Steel	1U	Steel	

#### Dimensions





# VOICE SOLUTIONS



### Category 3 UTP Multi-Pair LSOH

#### Features

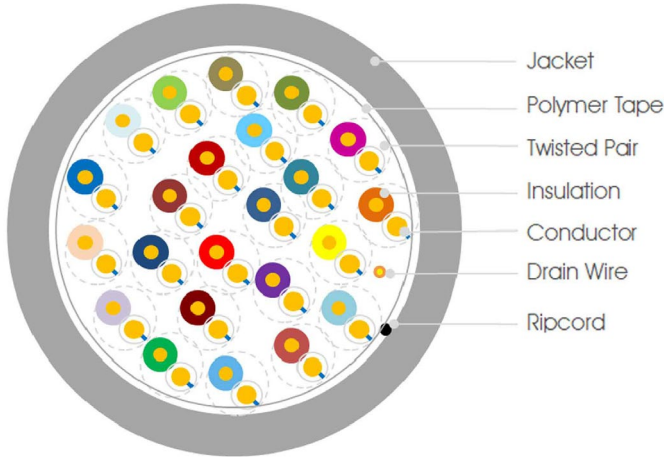


Cat.3 UTP Indoor Copper Multi-Pair Cable  
 100BASE-T4, 10BASE-T, Telephony Voice Wiring  
 Flame Retardant IEC 60332-1 and EN 50266-2-1  
 Meets or Exceeds UL444, UL1581  
 Non Corrosive as per IEC 60754-2 and EN 50267  
 Packing Type is Reel

Part Number	Description	Jacket	Pairs	Color	Explore
INC3U200GYL	Cat.3 UTP Cable	LSOH	200	Gray, RAL 7035	
INC3U100GYL	Cat.3 UTP Cable	LSOH	100	Gray, RAL 7035	
INC3U50GYL	Cat.3 UTP Cable	LSOH	50	Gray, RAL 7035	
INC3U25GYL	Cat.3 UTP Cable	LSOH	25	Gray, RAL 7035	
INC3U10GYL	Cat.3 UTP Cable	LSOH	10	Gray, RAL 7035	

Custom cable color available

#### Cable Construction





### Category 3 UTP Multi-Pair PVC

#### Features

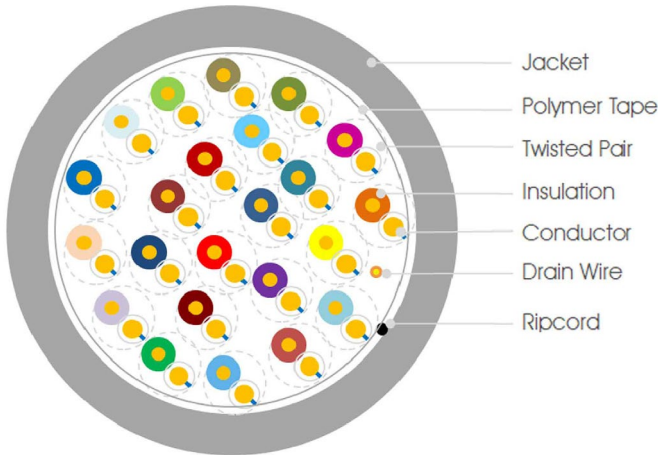


Cat.3 UTP Indoor Copper Multi-Pair Cable  
 100BASE-T4, 10BASE-T, Telephony Voice Wiring  
 Flame Retardant IEC 60332-1 and EN 50266-2-1  
 Meets or Exceeds UL444, UL1581  
 Non Corrosive as per IEC 60754-2 and EN 50267  
 Packing Type is Reel

Part Number	Description	Jacket	Pairs	Color	Explore
INC3U200GYR	Cat.3 UTP Cable	PVC	200	Gray, RAL 7035	
INC3U100GYR	Cat.3 UTP Cable	PVC	100	Gray, RAL 7035	
INC3U50GYR	Cat.3 UTP Cable	PVC	50	Gray, RAL 7035	
INC3U25GYR	Cat.3 UTP Cable	PVC	25	Gray, RAL 7035	
INC3U10GYR	Cat.3 UTP Cable	PVC	10	Gray, RAL 7035	

Custom cable color available

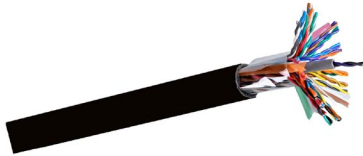
#### Cable Construction





### Category 3 UTP Multi-Pair PE

#### Features

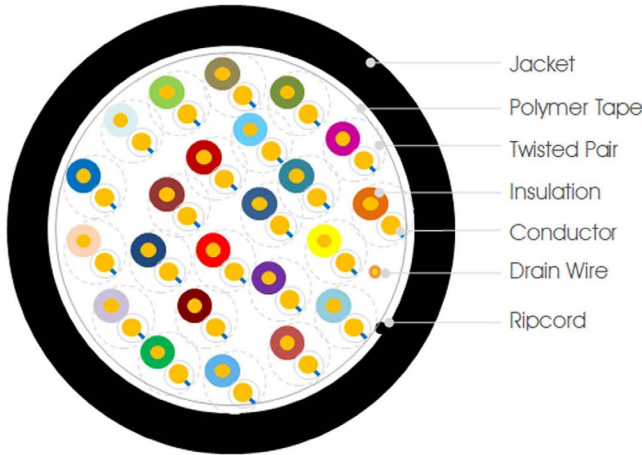


Cat.3 UTP Outdoor Copper Multi-Pair Cable  
 100BASE-T4, 10BASE-T, Telephony Voice Wiring  
 Flame Retardant IEC 60332-1 and EN 50266-2-1  
 Meets or Exceeds UL444, UL1581  
 Non Corrosive as per IEC 60754-2 and EN 50267  
 Packing Type is Reel

Part Number	Description	Jacket	Pairs	Color	Explore
INC3U200BKO	Cat.3 UTP Cable	PE	200	Black, RAL 9005	
INC3U100BKO	Cat.3 UTP Cable	PE	100	Black, RAL 9005	
INC3U50BKO	Cat.3 UTP Cable	PE	50	Black, RAL 9005	
INC3U25BKO	Cat.3 UTP Cable	PE	25	Black, RAL 9005	
INC3U10BKO	Cat.3 UTP Cable	PE	10	Black, RAL 9005	

Custom cable color available

#### Cable Construction





# High Density Voice Patch Panel

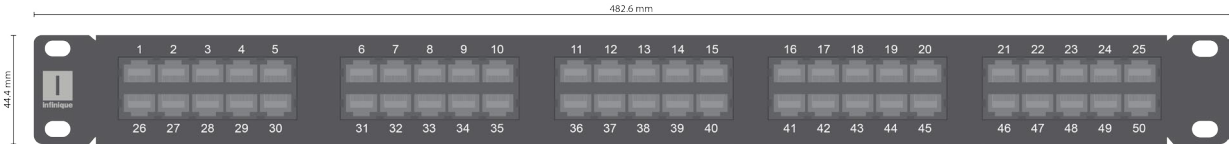


## Features

- Cat.5e Voice Patch Panel, Loaded, 50 Ports, 1U
- Easy Identification with Individual Port Marking
- Rear Cable Management Bar for strain relief
- Includes Rack Mounting Accessories and Cable Ties
- UL94V-0 Material, RoHS Compliant
- Packing Type is 1 Unit

Part Number	Description	Material	Rack Unit	Color	Explore
INPPT50	Voice Patch Panel 50 Ports	Steel	1U	Black, RAL 9004	

## Dimensions





### Category 5e, 110 Type Connecting Block



#### Features

Cat.3 110 Connecting Blocks 5 Pairs  
Meets or Exceeds UL444, UL1581  
Flame Retardant IEC 60332-1 and EN 50266-2-1  
Non Corrosive as per IEC 60754-2 and EN 50267  
100BASE-T4, 10BASE-T, Telephony Voice Wiring

Part Number	Description	Explore
INC5110CB5P	Cat. 5e , 110 Type Connecting Block 5 Pairs	






Category 5e, 110 Type Block Panel



Features

Cat.3 110 Connecting Panel 100 Pairs, 1U  
Meets or Exceeds UL444, UL1581  
Flame Retardant IEC 60332-1 and EN 50266-2-1  
Non Corrosive as per IEC 60754-2 and EN 50267  
100BASE-T4, 10BASE-T, Telephony Voice Wiring

Part Number	Description	Explore
INC5110PP100P	Cat. 5e, 110 Type 100 Pair Wiring Block Panel	  





# **FACE PLATES AND MODULES**



UK Style Flat

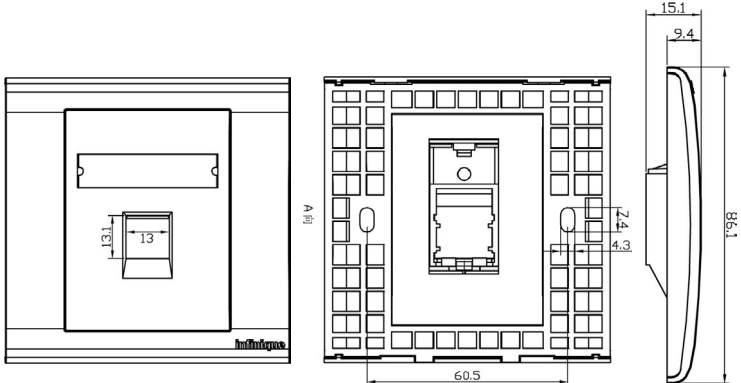


Features

- Single Port UK Style Shuttered
- Designed to accept Infinique Keystone Jacks
- Optimizes space and suitable for floor boxes
- Reduces patch cord bending
- UL94V-0 material for extra durability
- RoHS Compliant

Part Number	Description	Shutter	Color	Explore
INFP186D	UK Style Decora Face Plate Single Port	Flat	White	
Custom Color and metallic finish available				

Dimensions





UK Style Flat

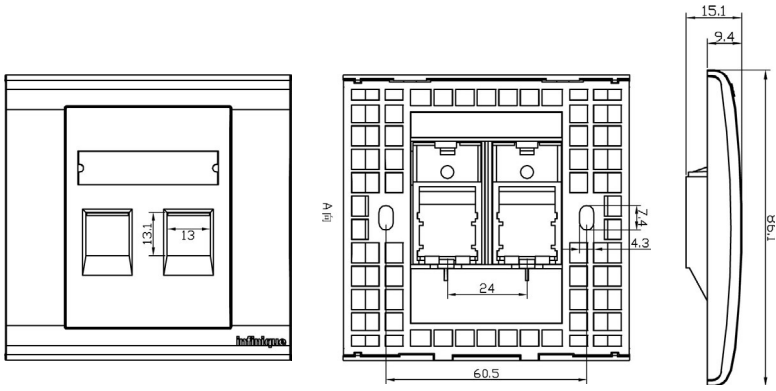


Features

- Dual Port UK Style Shuttered
- Designed to accept Infinique Keystone Jacks
- Optimizes space and suitable for floor boxes
- Reduces patch cord bending
- UL94V-0 material for extra durability
- RoHS Compliant

Part Number	Description	Shutter	Color	Explore
INFP286D	UK Style Decora Face Plate Dual Port	Flat	White	
Custom Color and metallic finish available				

Dimensions





UK Style Angled

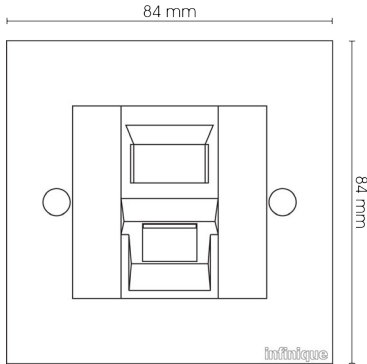


Features

Single Port UK Style Shuttered Angled, White  
Designed to accept Infinique Keystone Jacks  
Comes with mounting and fixing hardware  
Aesthetic design for stylish interiors  
UL94V-0 Material, RoHS Compliant

Part Number	Description	Shutter	Color	Explore
INMFP186A	UK Style Decora Face Plate Single Port	Angled	White	

Dimensions





UK Style Angled

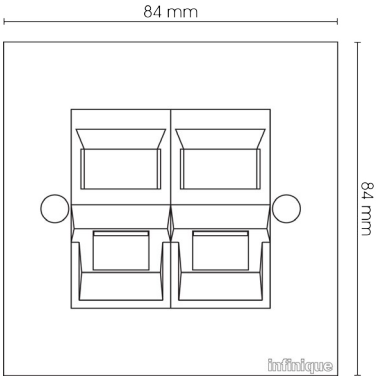


Features

Dual Port UK Style Shuttered Angled, White  
Designed to accept Infinique Keystone Jacks  
Comes with mounting and fixing hardware  
Aesthetic design for stylish interiors  
UL94V-0 Material, RoHS Compliant

Part Number	Description	Shutter	Color	Explore
INMFP286A	UK Style Decora Face Plate Dual Port	Angled	White	

Dimensions





NA Style Anti-Bacterial Face Plate



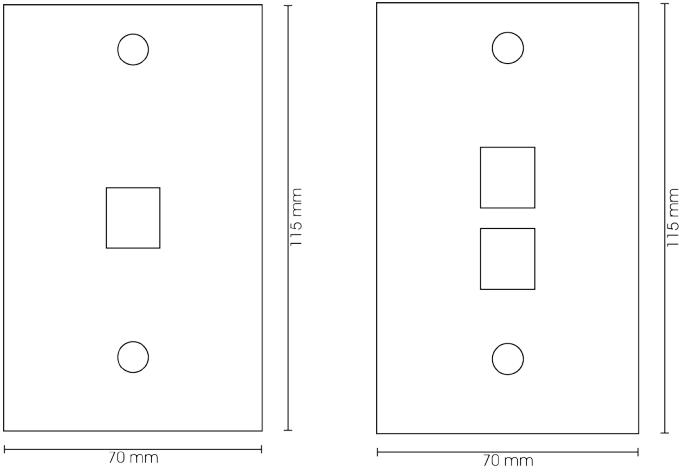
Key Features

- 1 Port NA Style Shuttered
- Designed to accept Infinique Keystone Jacks
- Available Ports: 1, 2, 3, 4, and 6
- Reduces patch cord bending
- UL94V-0 material for extra durability
- RoHS Compliant

Part Number	Description	Color	Explore
INFP170A	NA Style Flat Unshuttered, Unloaded 1 Port	White	
INFP270A	NA Style Flat Unshuttered, Unloaded 2 Port	White	
INFP370A	NA Style Flat Unshuttered, Unloaded 3 Port	White	
INFP470A	NA Style Flat Unshuttered, Unloaded 4 Port	White	
INFP670A	NA Style Flat Unshuttered, Unloaded 6 Port	White	

Custom color and metallic finish available

Dimensions





NA Style Face Plate



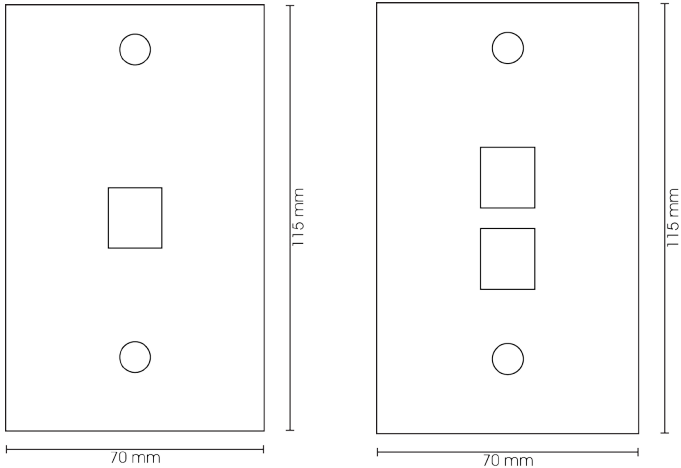
Key Features

- 1-2 Port NA Style Shuttered
- Designed to accept Infinique Keystone Jacks
- Available Ports: 1, 2, 3, 4, and 6
- Reduces patch cord bending
- UL94V-0 material for extra durability
- RoHS Compliant

Part Number	Description	Color	Explore
INFP170U	NA Style Flat Unshuttered, Unloaded 2 Port	White	
INFP270U	NA Style Flat Unshuttered, Unloaded 2 Port	White	
INFP370U	NA Style Flat Unshuttered, Unloaded 3 Port	White	
INFP470U	NA Style Flat Unshuttered, Unloaded 4 Port	White	
INFP670U	NA Style Flat Unshuttered, Unloaded 6 Port	White	

Custom color and metallic finish available

Dimensions





NA Style Face Plate



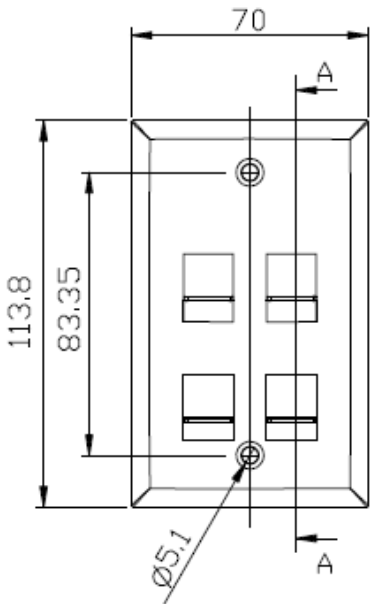
Features

- 4 Ports NA Style Shuttered
- Designed to accept Infinique Keystone Jacks
- Available Ports: 1, 2, and 4
- Reduces patch cord bending
- UL94V-0 material for extra durability
- RoHS Compliant

Part Number	Description	Color	Explore
INFP170S	NA Style Flat Shuttered, Unloaded 1 Port	White	
INFP270S	NA Style Flat Shuttered, Unloaded 2 Port	White	
INFP470S	NA Style Flat Shuttered, Unloaded 4 Port	White	

Custom color and metallic finish available

Dimensions







### Floor Mount Bracket

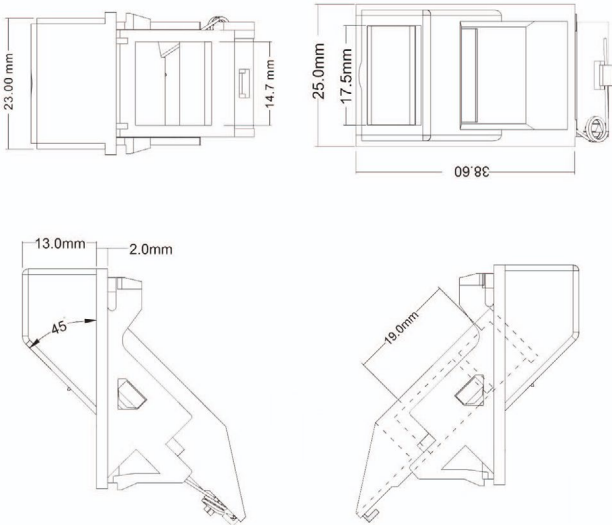


### Features

- Angled Shuttered Floor Mount Bracket
- Designed to accept Infinique Keystone Jacks
- Optimizes space and suitable for floor boxes
- Reduces patch cord bending
- UL94V-0 material for extra durability
- RoHS Compliant

Part Number	Description	Shutter	Color	Explore
INFBA38	Floor Mount Bracket	Angled	White	
Custom color available				

### Dimensions





# **CABLE MANAGERS**



## 5 Ring

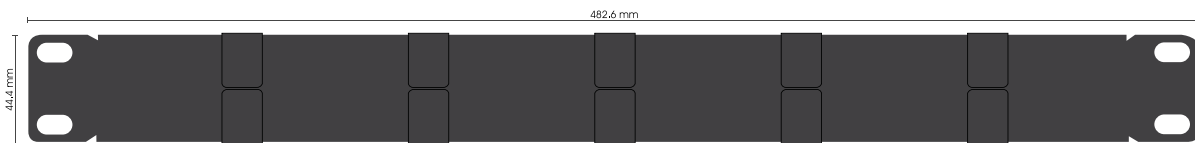


### Features

SPCC Cold Rolled Steel  
19 inch Rack Mountable  
Includes Rack Mounting Accessories  
UL94V-0 Material, RoHS Compliant  
Packing Type is 1 Unit

Part Number	Description	Material	Rack Unit	Color	Explore
INMPT5M	5 Ring Panel	Steel	1U	Black, RAL 9004	

### Dimensions





### Finger Panel

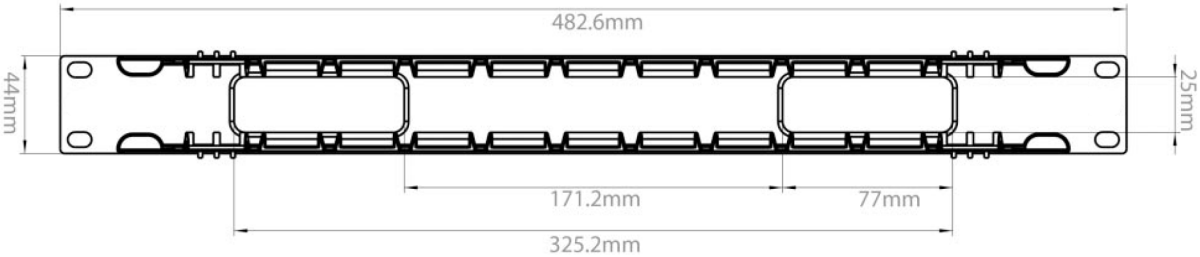
### Features



SPCC Cold Rolled Steel  
 19 inch Rack Mountable  
 Includes Rack Mounting Accessories  
 UL94V-0 Material, RoHS Compliant  
 Packing Type is 1 Unit

Part Number	Description	Material	Rack Unit	Color	Explore
INMPF1U	Finger Panel	Steel	1U	Black, RAL 9004	

### Dimensions





## Brush Panel

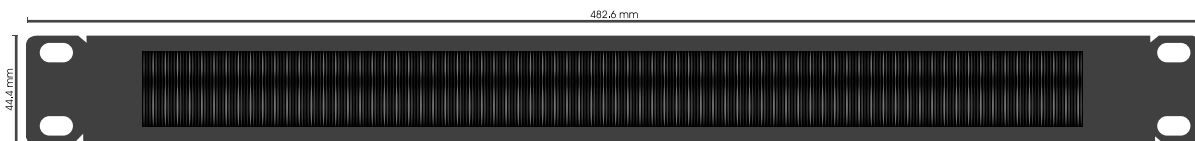


### Features

SPCC Cold Rolled Steel  
19 inch Rack Mountable  
Includes Rack Mounting Accessories  
UL94V-0 Material, RoHS Compliant  
Packing Type is 1 Unit

Part Number	Description	Material	Rack Unit	Color	Explore
INMPB1U	Brush Panel	Steel	1U	Black, RAL 9004	

### Dimensions





Blank Panel

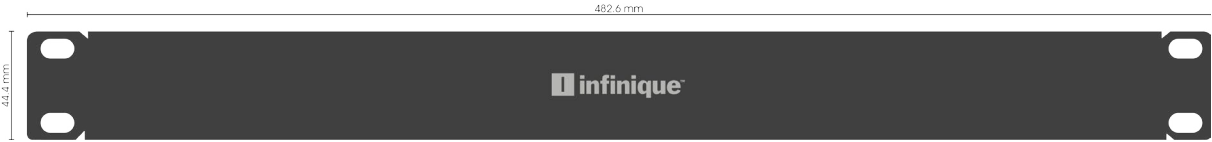


Features

SPCC Cold Rolled Steel  
19 inch Rack Mountable  
Includes Rack Mounting Accessories  
UL94V-0 Material, RoHS Compliant  
Packing Type is 1 Unit

Part Number	Description	Material	Rack Unit	Color	Explore
INMPK2U	Blank Panel	Steel	1U	Black, RAL 9004	

Dimensions





# ACCESSORIES



### Category 6A Patch Cord Plugs

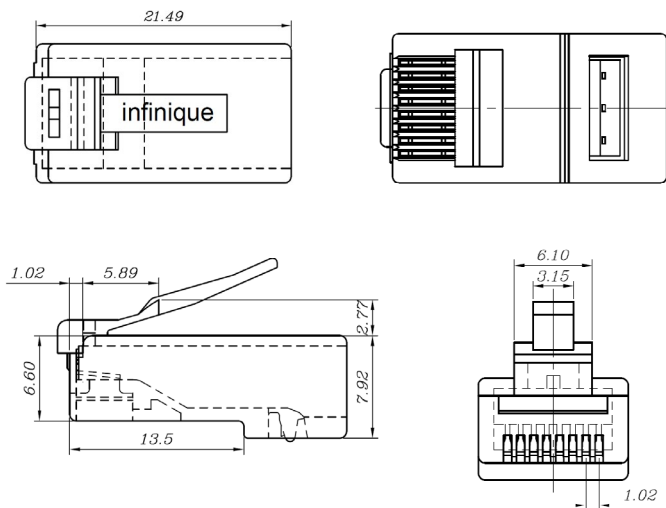


### Features

Cat.6A RJ45 UTP Patch Cord Plugs  
 Accepts 23 to 28 AWG stranded wire  
 Connectors with 50 micron gold-plated contacts  
 UL94V-0 Material, RoHS Compliant

Part Number	Description	Color	Explore
<b>INPL6AU8CT</b>	Cat.6A Unshielded Patch Cord Plugs	Transparent	

### Dimensions







### Category 6A Patch Cord Plugs

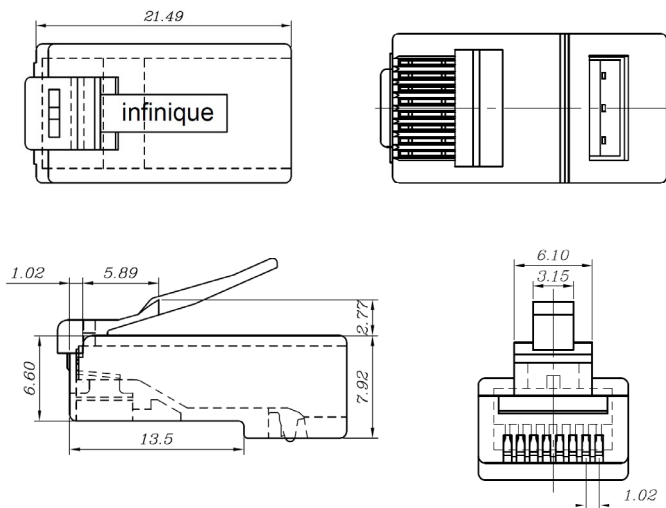


### Features

Cat.6A RJ45 Shielded Patch Cord Plugs  
 Accepts 23 to 28 AWG stranded wire  
 Connectors with 50 micron gold-plated contacts  
 UL94V-0 Material, RoHS Compliant

Part Number	Description	Color	Explore
INPL6AS8CT	Cat.6A Shielded Patch Cord Plugs	Steel	

### Dimensions

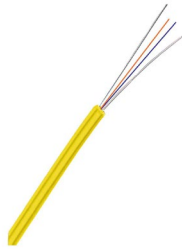




# FIBER CABLES



### FTTH Indoor Singlemode

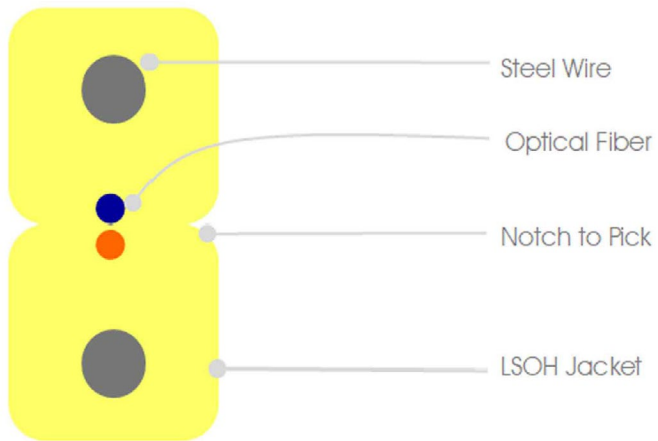


#### Features

FTTH Cable, GSW Strength Member, LSOH  
 10G Ethernet Performance  
 Available in 2 to 4 Cores  
 RoHS Compliant  
 Packing Type is Reel

Part Number	Description	Jacket	Length	Color	Explore
IFOCSMFG2	FTTH Indoor 2C	LSOH	1000 m	Yellow, RAL1023	
IFOCSMFG4	FTTH Indoor 4C	LSOH	1000 m	Yellow, RAL1023	

#### Cable Construction





### FTTH Outdoor Singlemode

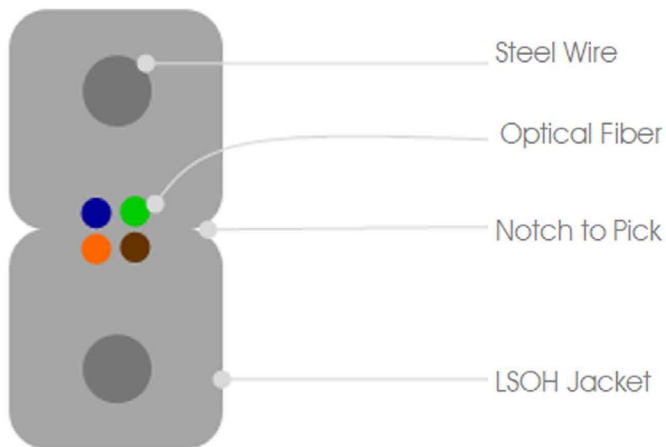


#### Features

FTTH Cable, Flame Retardant, LSOH  
 10G Ethernet Performance  
 Available in 2 to 4 Cores  
 RoHS Compliant  
 Packing Type is Reel

Part Number	Description	Jacket	Length	Color	Explore
IFOCSMFO2	FTTH Outdoor 2C	LSOH	1000 m	Black, RAL 9005	
IFOCSMFO4	FTTH Outdoor 4C	LSOH	1000 m	Black, RAL 9005	

#### Cable Construction





### Central Loose Tube Singlemode



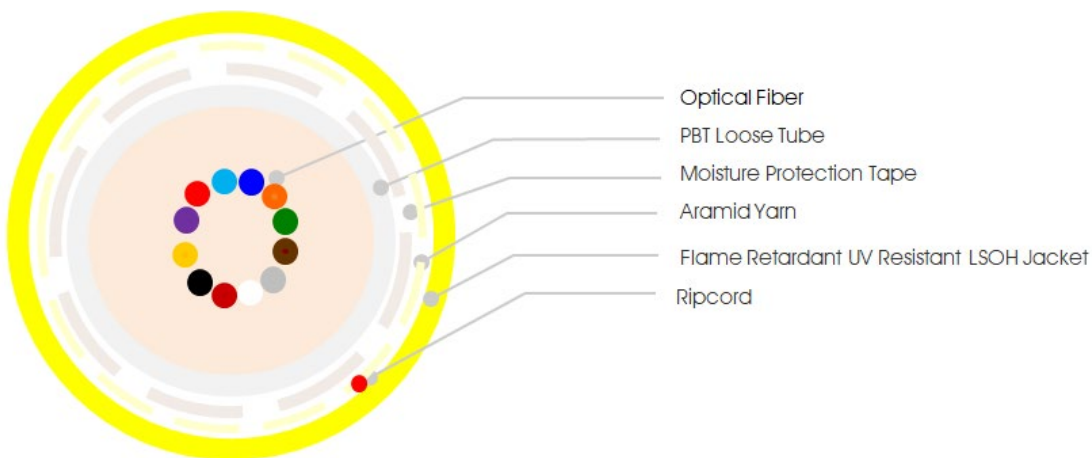
#### Features

CLT Indoor Outdoor, SM, LSOH  
 10G Ethernet Performance  
 Available in 2 to 24 Cores  
 RoHS Compliant  
 Packing Type is Reel

Part Number	Description	Jacket	Length	Color	Explore
IFOCSMLTNL	CLT SM G.652.D cable	LSOH	1000 m	Yellow, RAL1023	
IFOCS1LTNL	CLT SM OS2 cable	LSOH	1000 m	Yellow, RAL1023	
IFOCS2LTNL	CLT SM G.657.A1 cable	LSOH	1000 m	Yellow, RAL1023	
IFOCS3LTNL	CLT SM G.657.A2 cable	LSOH	1000 m	Yellow, RAL1023	
IFOCS4LTNL	CLT SM G.657.B2 cable	LSOH	1000 m	Yellow, RAL1023	
IFOCS5LTNL	CLT SM G.657.B3 cable	LSOH	1000 m	Yellow, RAL1023	

Replace 'N' in Part Number for the number of Fiber Cores

#### Cable Construction





### Central Loose Tube Multimode



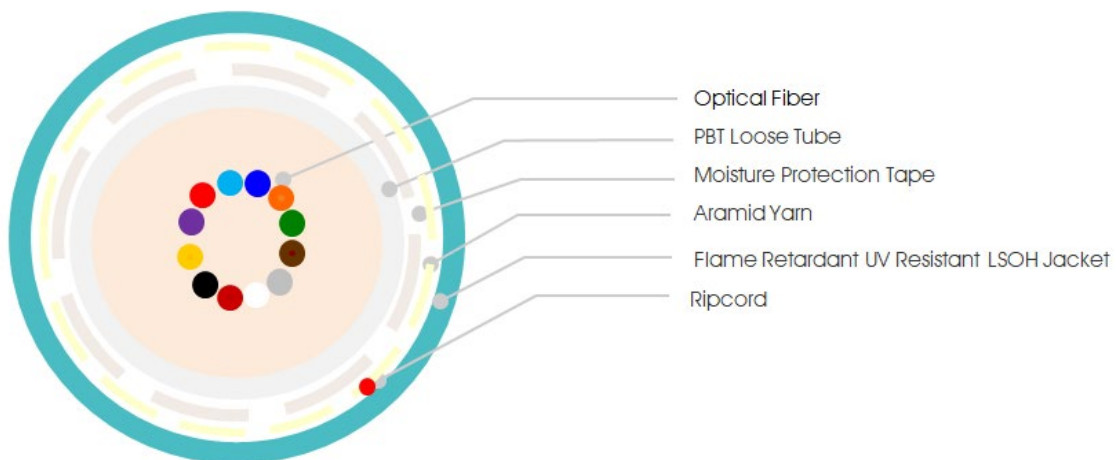
#### Features

- CLT Indoor Outdoor, MM OM3, OM4, OM5 LSOH
- 10G Ethernet Performance
- Available in 2 to 24 Cores
- RoHS Compliant
- Packing Type is Reel

Part Number	Description	Jacket	Length	Color	Explore
<b>IFOCM3LTNL</b>	CLT MM OM3 cable	LSOH	1000 m	Aqua RAL 6027	
<b>IFOCM4LTNL</b>	CLT MM OM4 cable	LSOH	1000 m	Violet RAL 4005	
<b>IFOCM5LTNL</b>	CLT MM OM5 cable	LSOH	1000 m	Lime Green RAL 6038	

Replace 'N' in Part Number for the number of Fiber Cores

#### Cable Construction





### Stranded Loose Tube Singlemode



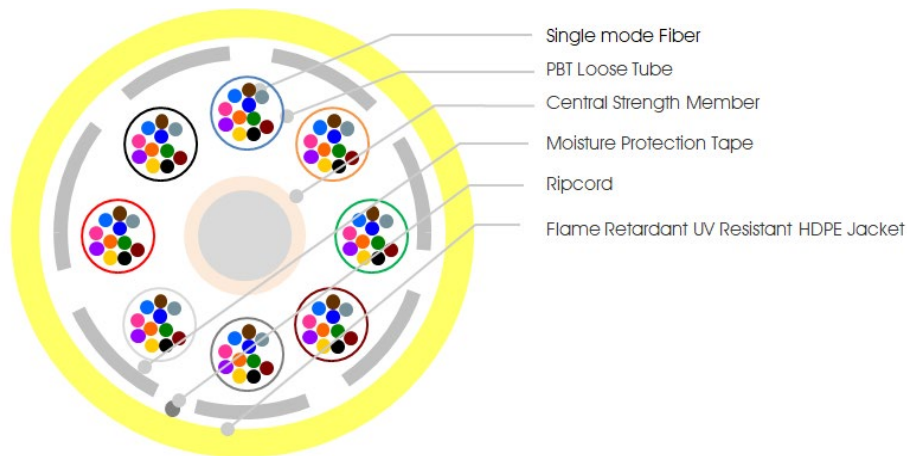
#### Key Features

- Stranded Loose Tube, SM, LSOH
- 10G Ethernet Performance
- Available in 25 to 288 Cores
- RoHS Compliant
- Packing Type is Reel

Part Number	Description	Jacket	Length	Color	Explore
IFOC5MLTNNL	SLT SM G.652.D cable	LSOH	1000 m	Yellow, RAL1023	
IFOC51LTNNL	SLT SM OS2 cable	LSOH	1000 m	Yellow, RAL1023	
IFOC52LTNNL	SLT SM G.657.A1 cable	LSOH	1000 m	Yellow, RAL1023	
IFOC53LTNNL	SLT SM G.657.A2 cable	LSOH	1000 m	Yellow, RAL1023	
IFOC54LTNNL	SLT SM G.657.B2 cable	LSOH	1000 m	Yellow, RAL1023	
IFOC55LTNNL	SLT SM G.657.B3 cable	LSOH	1000 m	Yellow, RAL1023	

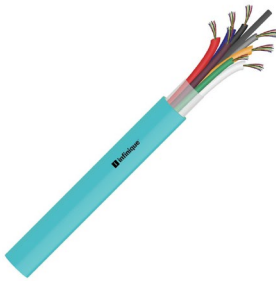
Replace 'N' in Part Number for the number of Fiber Cores

#### Cable Construction





### Stranded Loose Tube Multimode



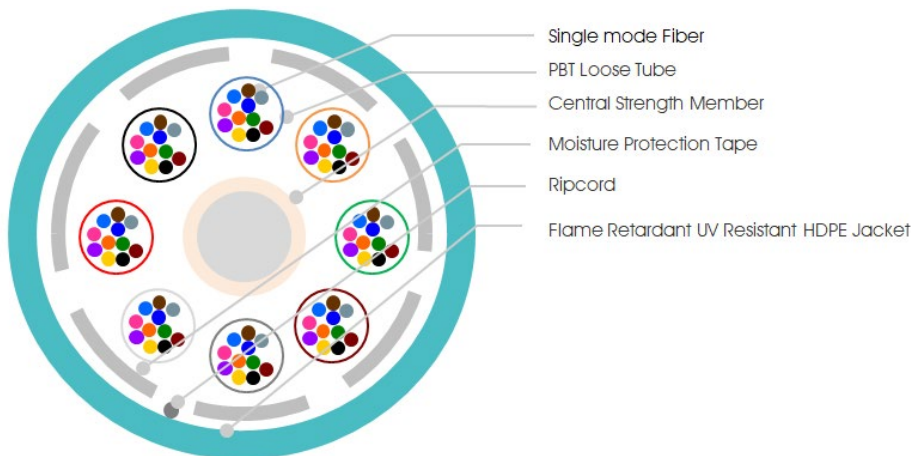
#### Features

Stranded Loose Tube, MM OM3, OM4, OM5 LSOH  
 10G Ethernet Performance  
 Available in 25 to 288 Cores  
 RoHS Compliant  
 Packing Type is Reel

Part Number	Description	Jacket	Length	Color	Explore
IFOCM3LTNNL	SLT MM OM3 cable	LSOH	1000 m	Aqua RAL 6027	
IFOCM4LTNNL	SLT MM OM4 cable	LSOH	1000 m	Violet RAL 4005	
IFOCM5LTNNL	SLT MM OM5 cable	LSOH	1000 m	Lime Green RAL 6038	

Replace 'N' in Part Number for the number of Fiber Cores

#### Cable Construction







### Rodent and Termite Resistant Singlemode



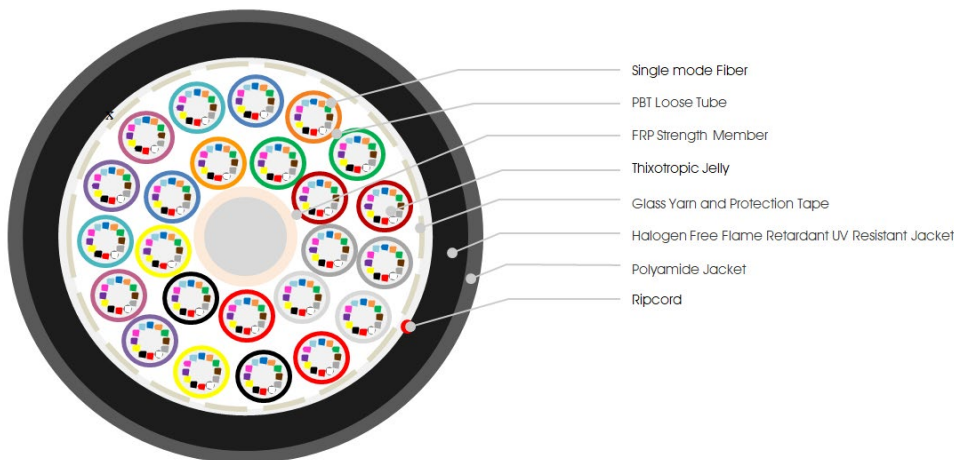
#### Features

CLT Indoor Outdoor, SM, LSOH  
Rodent and Termite Resistant  
10G Ethernet Performance  
Available in 25 to 288 Cores

Part Number	Description	Jacket	Length	Color	Explore
IFOC5MLTNRL	CLT SM Cable	LSOH	1000 m	Black, RAL 9005	
IFOC51LTNRL	CLT SM OS2 cable	LSOH	1000 m	Black, RAL 9005	
IFOC52LTNRL	CLT SM G.657.A1 cable	LSOH	1000 m	Black, RAL 9005	
IFOC53LTNRL	CLT SM G.657.A2 cable	LSOH	1000 m	Black, RAL 9005	
IFOC54LTNRL	CLT SM G.657.B2 cable	LSOH	1000 m	Black, RAL 9005	
IFOC55LTNRL	CLT SM G.657.B3 cable	LSOH	1000 m	Black, RAL 9005	

Replace 'N' in Part Number for the number of Fiber Cores

#### Cable Construction





### Stranded Loose Tube Armored Singlemode



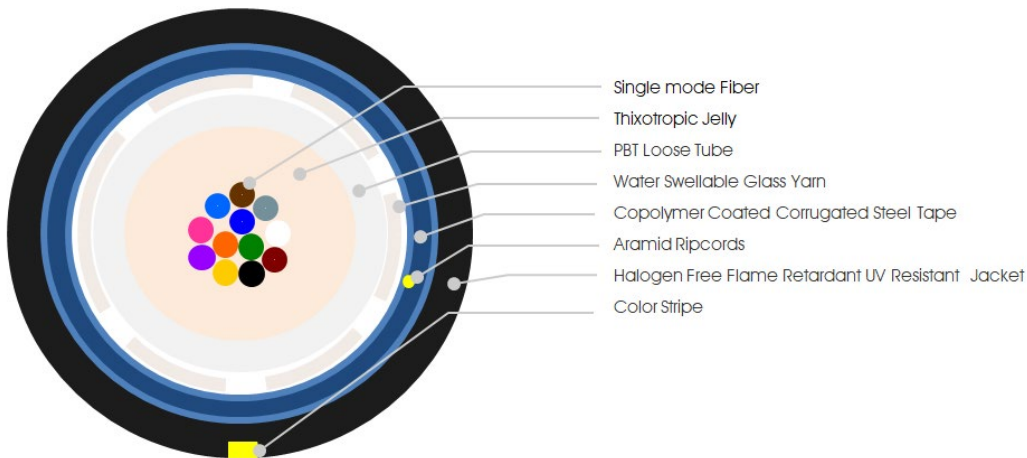
#### Features

- SLT Armored, SM,
- Direct Burial, Flame Retardant, UV Resistant Jacket
- 10G Ethernet Performance
- Available in 2 to 24 Cores
- RoHS Compliant
- Packing Type is Reel

Part Number	Description	Jacket	Length	Color	Explore
IFOCSMLTNA	SLT Armored SM G.652.D cable	FRUV	1000 m	Black, RAL 9005	
IFOCS1LTNA	SLT Armored SM OS2 cable	FRUV	1000 m	Black, RAL 9005	
IFOCS2LTNA	SLT Armored SM G.657.A1 cable	FRUV	1000 m	Black, RAL 9005	
IFOCS3LTNA	SLT Armored SM G.657.A2 cable	FRUV	1000 m	Black, RAL 9005	
IFOCS4LTNA	SLT Armored SM G.657.B2 cable	FRUV	1000 m	Black, RAL 9005	
IFOCS5LTNA	SLT Armored SM G.657.B3 cable	FRUV	1000 m	Black, RAL 9005	

Replace 'N' in Part Number for the number of Fiber Cores

#### Cable Construction





### Stranded Loose Tube Armored Multimode



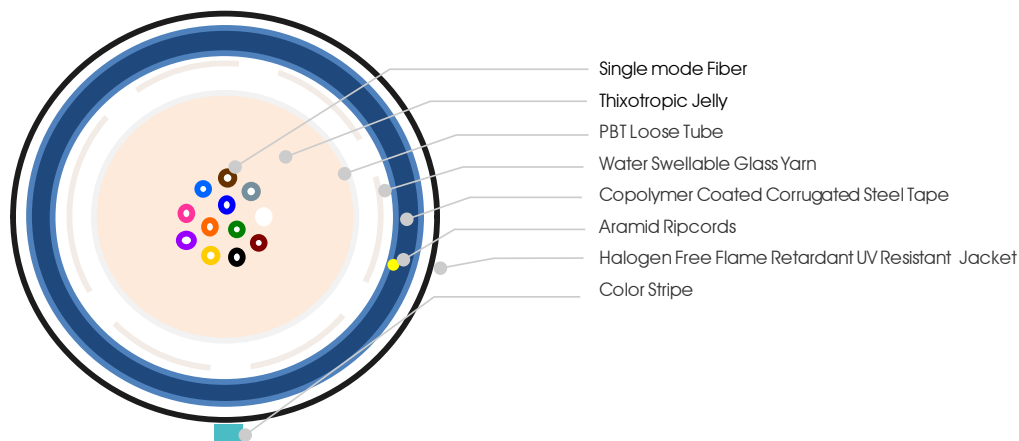
#### Features

- SLT Armored, MM OM3, OM4
- Direct Burial, Flame Retardant, UV Resistant Jacket
- 10G Ethernet Performance
- Available in 2 to 24 Cores
- RoHS Compliant
- Packing Type is Reel

Part Number	Description	Jacket	Length	Color	Explore
<b>IFOCM3LTNA</b>	SLT Armored MM OM3 cable	FRUV	1000 m	Black, RAL 9005	
<b>IFOCM4LTNA</b>	SLT Armored MM OM4 cable	FRUV	1000 m	Black, RAL 9005	
<b>IFOCM5LTNA</b>	SLT Armored MM OM5 cable	FRUV	1000 m	Black, RAL 9005	

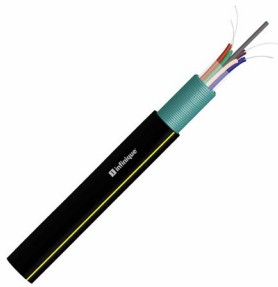
Replace 'N' in Part Number for the number of Fiber Cores

### Cable Construction





### Stranded Loose Tube Armored Singlemode



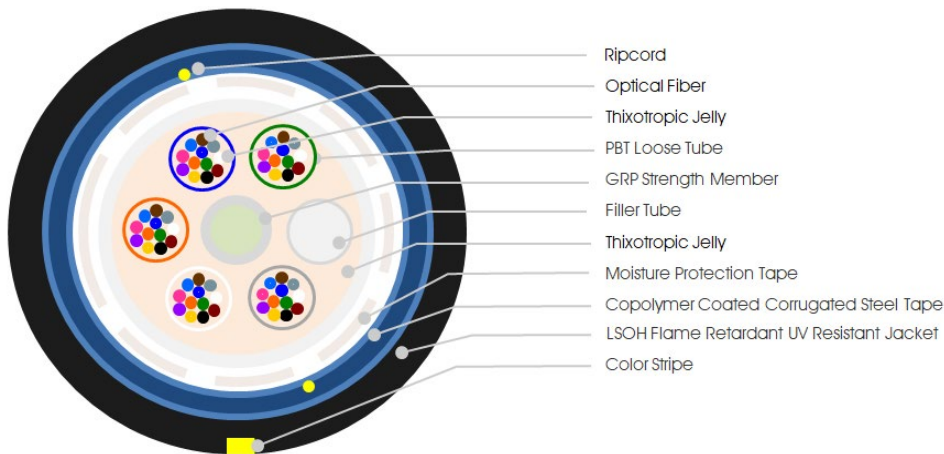
#### Features

- SLT Armored, SM
- Direct Burial, Flame Retardant, UV Resistant Jacket
- 10G Ethernet Performance
- Available in 25 to 288 Cores
- RoHS Compliant
- Packing Type is Reel

Part Number	Description	Jacket	Length	Color	Explore
IFOC5MLTNNNA	SLT Armored SM G.652.D cable	PE	1000 m	Black, RAL 9005	
IFOC51LTNNNA	SLT Armored SM OS2 cable	PE	1000 m	Black, RAL 9005	
IFOC52LTNNNA	SLT Armored SM G.657.A1 cable	PE	1000 m	Black, RAL 9005	
IFOC53LTNNNA	SLT Armored SM G.657.A2 cable	PE	1000 m	Black, RAL 9005	
IFOC54LTNNNA	SLT Armored SM G.657.B2 cable	PE	1000 m	Black, RAL 9005	
IFOC55LTNNNA	SLT Armored SM G.657.B3 cable	PE	1000 m	Black, RAL 9005	

Replace 'N' in Part Number for the number of Fiber Cores

#### Cable Construction





### Steel Wire Armored Singlemode



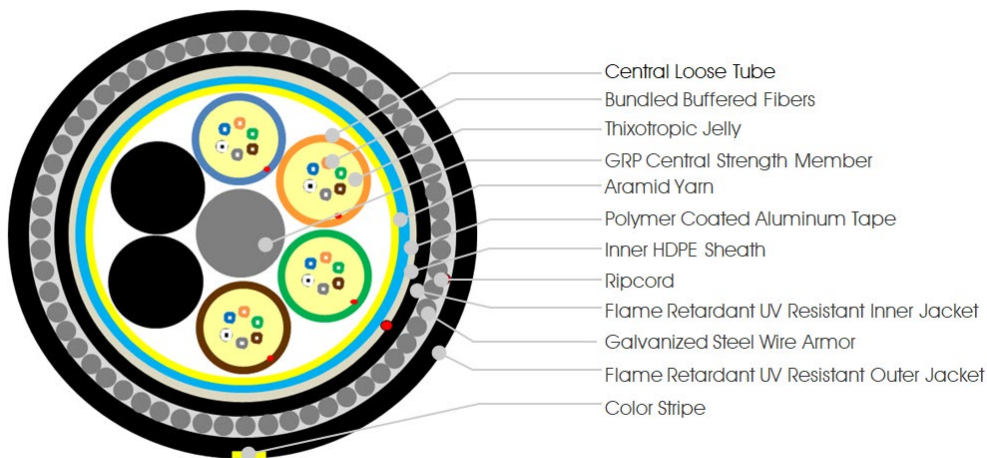
#### Features

- Steel Wire Armored, SM
- Direct Burial, Dual Fire Retardant Jacket, UV Resistant
- 10G Ethernet Performance
- Available in 2 to 288 Cores
- RoHS Compliant
- Packing Type is Reel

Part Number	Description	Jacket	Length	Color	Explore
IFOC5MLTNAS	SW Armored SM G.652.D cable	Dual	1000 m	Black, RAL 9005	
IFOC51LTNAS	SW Armored SM OS2 cable	Dual	1000 m	Black, RAL 9005	
IFOC52LTNAS	SW Armored SM G.657.A1 cable	Dual	1000 m	Black, RAL 9005	
IFOC53LTNAS	SW Armored SM G.657.A2 cable	Dual	1000 m	Black, RAL 9005	
IFOC54LTNAS	SW Armored SM G.657.B2 cable	Dual	1000 m	Black, RAL 9005	
IFOC55LTNAS	SW Armored SM G.657.B3 cable	Dual	1000 m	Black, RAL 9005	

Replace 'N' in Part Number for the number of Fiber Cores

#### Cable Construction





### Distribution Cable Singlemode



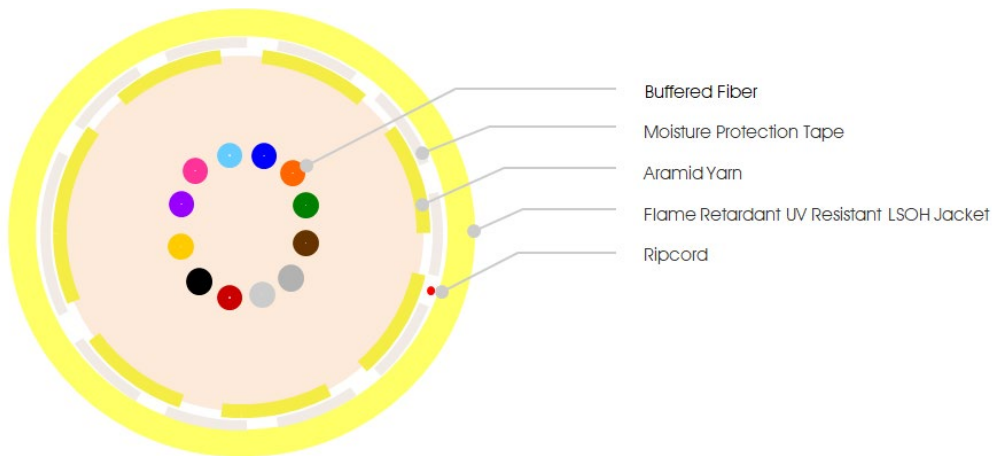
#### Features

- Distribution Tight Buffer Non-Jelly SM, LSOH
- 10G Ethernet Performance
- Available in 2 to 24 Cores
- RoHS Compliant
- Packing Type is Reel

Part Number	Description	Jacket	Length	Color	Explore
IFOCSMTBNL	Distribution SM G.652.D cable	LSOH	1000 m	Yellow, RAL1023	
IFOCS1TBNL	Distribution SM OS2 cable	LSOH	1000 m	Yellow, RAL1023	
IFOCS2TBNL	Distribution SM G.657.A1 cable	LSOH	1000 m	Yellow, RAL1023	
IFOCS3TBNL	Distribution SM G.657.A2 cable	LSOH	1000 m	Yellow, RAL1023	
IFOCS4TBNL	Distribution SM G.657.B2 cable	LSOH	1000 m	Yellow, RAL1023	
IFOCS5TBNL	Distribution SM G.657.B3 cable	LSOH	1000 m	Yellow, RAL1023	

Replace 'N' in Part Number for the number of Fiber Cores

#### Cable Construction





### Distribution Cable Multimode



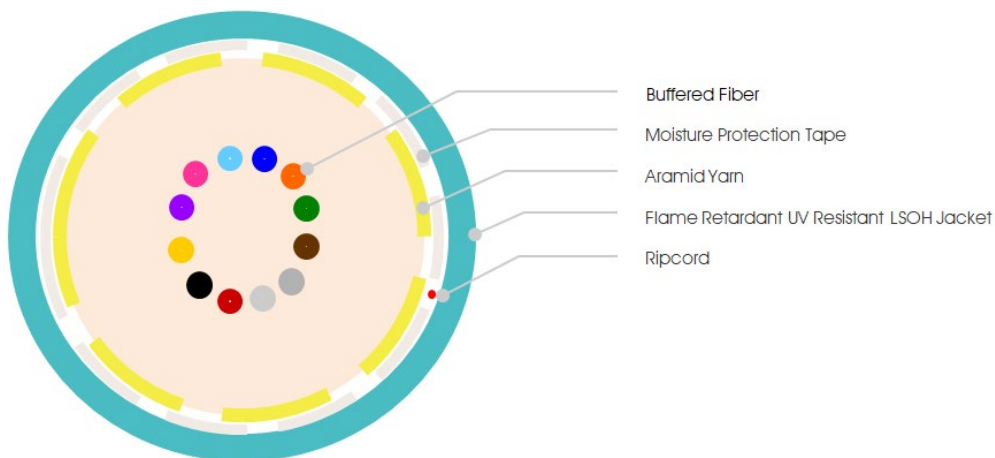
#### Features

Distribution Tight Buffer Non-Jelly MM OM3, OM4, OM5  
 10G Ethernet Performance  
 Available in 2 to 24 Cores  
 RoHS Compliant  
 Packing Type is Reel

Part Number	Description	Jacket	Length	Color	Explore
<b>IFOCM3TBNL</b>	Distribution MM OM3 Cable	LSOH	1000 m	Aqua RAL 6027	
<b>IFOCM4TBNL</b>	Distribution MM OM4 Cable	LSOH	1000 m	Violet RAL 4005	
<b>IFOCM5TBNL</b>	Distribution MM OM5 Cable	LSOH	1000 m	Lime Green RAL 6038	

Replace 'N' in Part Number for the number of Fiber Cores

#### Cable Construction





### Distribution Cable Singlemode



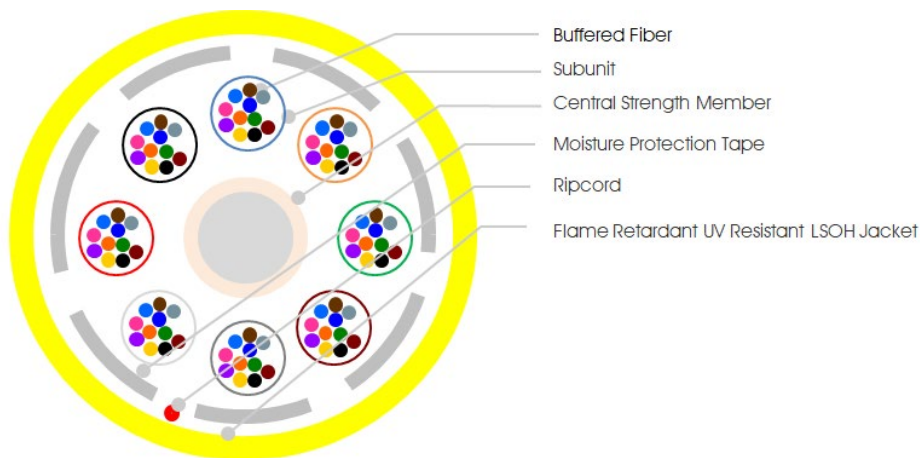
#### Features

- Distribution Tight Buffer Non-Jelly SM, LSOH
- 10G Ethernet Performance
- Available in 25 to 288 Cores
- RoHS Compliant
- Packing Type is Reel

Part Number	Description	Jacket	Length	Color	Explore
<b>IFOCSMTBNNL</b>	Distribution SM G.652.D cable	LSOH	1000 m	Yellow, RAL1023	
<b>IFOCS1TBNNL</b>	Distribution SM OS2 cable	LSOH	1000 m	Yellow, RAL1023	
<b>IFOCS2TBNNL</b>	Distribution SM G.657.A1 cable	LSOH	1000 m	Yellow, RAL1023	
<b>IFOCS3TBNNL</b>	Distribution SM G.657.A2 cable	LSOH	1000 m	Yellow, RAL1023	
<b>IFOCS4TBNNL</b>	Distribution SM G.657.B2 cable	LSOH	1000 m	Yellow, RAL1023	
<b>IFOCS5TBNNL</b>	Distribution SM G.657.B3 cable	LSOH	1000 m	Yellow, RAL1023	

Replace 'N' in Part Number for the number of Fiber Cores

#### Cable Construction







### Distribution Cable Multimode



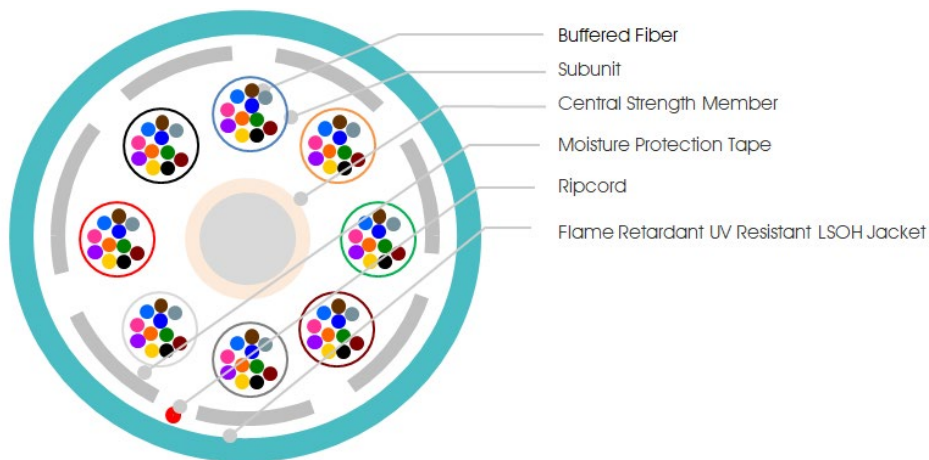
#### Features

Infinique Tight Buffer Non-Jelly MM OM3, OM4, OM5,  
 10G Ethernet Performance  
 Available in 25 to 288 Cores  
 RoHS Compliant  
 Packing Type is Reel

Part Number	Description	Jacket	Length	Color	Explore
<b>IFOCM3TBNL</b>	Distribution MM OM3 Cable	LSOH	1000m	Aqua RAL 6027	
<b>IFOCM4TBNL</b>	Distribution MM OM4 Cable	LSOH	1000m	Violet RAL 4005	
<b>IFOCM5TBNL</b>	Distribution MM OM5 Cable	LSOH	1000m	Lime Green RAL 6038	

Custom length available

#### Cable Construction



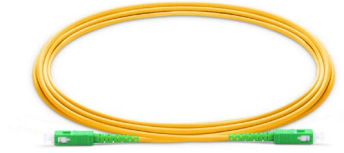


# FIBER PATCH CORD



### SC-SC APC Simplex Singlemode

#### Features

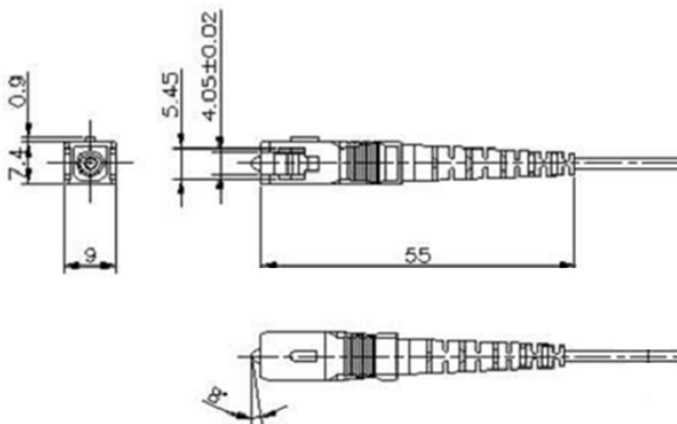


SC-SC APC Simplex  
 Singlemode G.657A2 Bend Insensitive  
 2.0mm LSOH Cable  
 Insertion Loss < 0.3dB  
 RoHS Compliant

Part Number	Description	Jacket	Length	Color	Explore
<b>IFAPCSMSCSCS1</b>	SC-SC-APC Simplex SM	LSOH	1m	Yellow, RAL1023	
<b>IFAPCSMSCSCS3</b>	SC-SC-APC Simplex SM	LSOH	3m	Yellow, RAL1023	

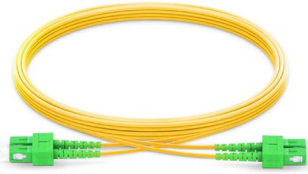
Custom length available

#### Dimensions





### SC-SC APC Duplex Singlemode



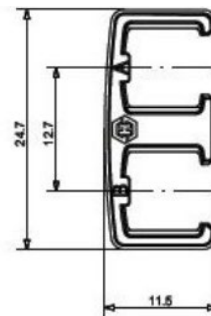
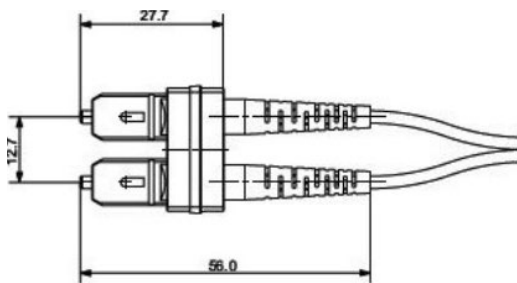
#### Features

SC-SC APC Duplex  
 Singlemode G.657A2 Bend Insensitive  
 2.0mm LSOH Cable  
 Insertion Loss < 0.3dB  
 RoHS Compliant

Part Number	Description	Jacket	Length	Color	Explore
IFAPCSMSCSCD1	SC-SC-APC Duplex SM	LSOH	1m	Yellow, RAL1023	
IFAPCSMSCSCD3	SC-SC-APC Duplex SM	LSOH	3m	Yellow, RAL1023	

Custom length available

#### Dimensions





## SC-SC UPC Simplex Multimode

### Features

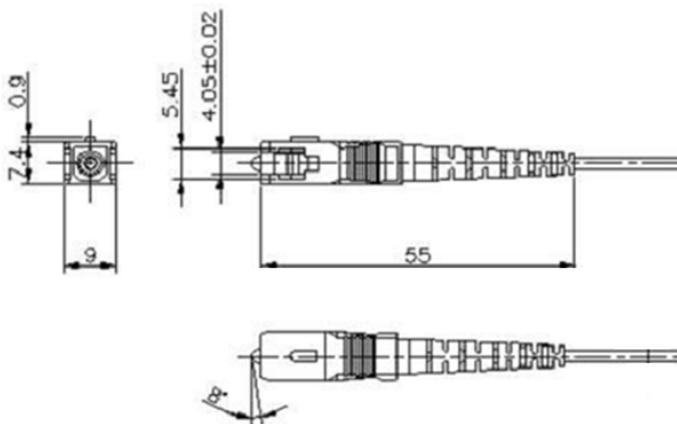


SC-SC UPC Simplex  
 Multimode OM3, OM4, OM5  
 2.0mm LSOH Cable  
 Insertion Loss < 0.3dB  
 RoHS Compliant

Part Number	Description	Jacket	Length	Color	Explore
<b>IFPCM3SCSCS3</b>	SC-SC-UPC Simplex OM3	LSOH	3m	Aqua RAL 6027	
<b>IFPCM4SCSCS3</b>	SC-SC-UPC Simplex OM4	LSOH	3m	Violet RAL 4005	
<b>IFPCM5SCSCS3</b>	SC-SC-UPC Simplex OM5	LSOH	3m	Lime Green RAL 6038	

Custom length available

### Dimensions





### SC-SC UPC Duplex Multimode

#### Features

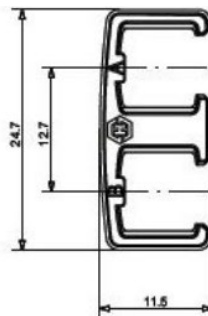
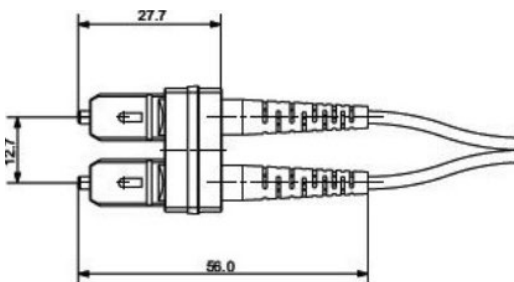


SC-SC UPC Duplex  
Multimode OM3, OM4, OM5  
2.0mm LSOH Cable  
Insertion Loss < 0.3dB  
RoHS Compliant

Part Number	Description	Jacket	Length	Color	Explore
<b>IFPCM3SCSCD3</b>	SC-SC-UPC Duplex OM3	LSOH	3m	Aqua RAL 6027	
<b>IFPCM4SCSCD3</b>	SC-SC-UPC Duplex OM4	LSOH	3m	Violet RAL 4005	
<b>IFPCM5SCSCD3</b>	SC-SC-UPC Duplex OM5	LSOH	3m	Lime Green RAL 6038	

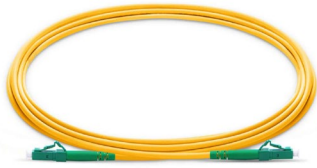
Custom length available

#### Dimensions





### LC-LC APC Duplex Singlemode



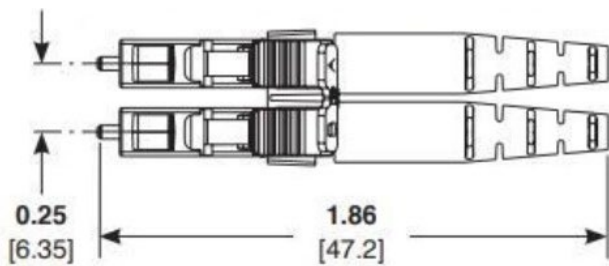
#### Features

LC-LC APC Duplex  
 Singlemode G.657A2 Bend Insensitive  
 2.0mm LSOH Cable  
 Insertion Loss < 0.3dB  
 RoHS Compliant

Part Number	Description	Jacket	Length	Color	Explore
<b>IFAPCSMLCLCD1</b>	LC-LC-APC Duplex SM	LSOH	1m	Yellow, RAL1023	
<b>IFAPCSMLCLCD3</b>	LC-LC-APC Duplex SM	LSOH	3m	Yellow, RAL1023	

Custom length available

#### Dimensions





## LC-LC UPC Duplex Multimode

### Features

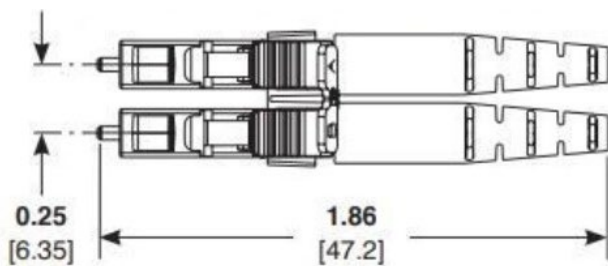


LC-LC UPC Duplex  
 Multimode OM3, OM4, OM5  
 2.0mm LSOH Cable  
 Insertion Loss < 0.3dB  
 RoHS Compliant

Part Number	Description	Jacket	Length	Color	Explore
<b>IFPCM3LCLCD1</b>	LC-LC-UPC Duplex OM3	LSOH	1m	Aqua RAL 6027	
<b>IFPCM3LCLCD3</b>	LC-LC-UPC Duplex OM3	LSOH	3m	Aqua RAL 6027	
<b>IFPCM4LCLCD1</b>	LC-LC-UPC Duplex OM4	LSOH	1m	Violet RAL 4005	
<b>IFPCM4LCLCD3</b>	LC-LC-UPC Duplex OM4	LSOH	3m	Violet RAL 4005	
<b>IFPCM5LCLCD1</b>	LC-LC-UPC Duplex OM5	LSOH	1m	Lime Green RAL 6038	
<b>IFPCM5LCLCD3</b>	LC-LC-UPC Duplex OM5	LSOH	3m	Lime Green RAL 6038	

Custom length available

### Dimensions







### SC-LC APC Duplex Singlemode



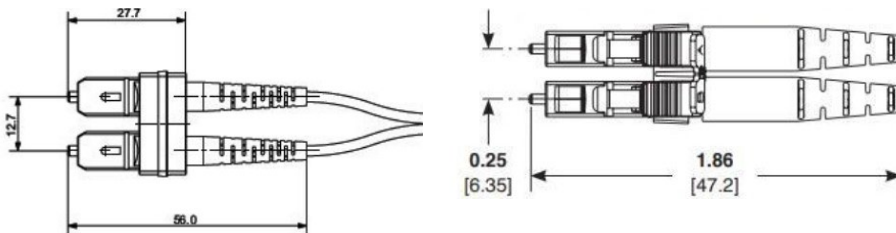
#### Features

SC-LC APC Duplex  
 Singlemode G.657A2 Bend Insensitive  
 2.0mm LSOH Cable  
 Insertion Loss < 0.3dB  
 RoHS Compliant

Part Number	Description	Jacket	Length	Color	Explore
IFAPCSMSCLCD1	SC-LC-APC Duplex SM	LSOH	1m	Yellow, RAL1023	
IFAPCSMSCLCD3	SC-LC-APC Duplex SM	LSOH	3m	Yellow, RAL1023	

Custom length available

#### Dimensions





## ST-ST APC Simplex Singlemode



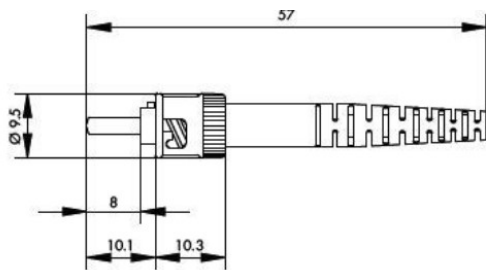
### Features

ST-ST APC Simplex  
 Singlemode G.657A2 Bend Insensitive  
 2.0mm LSOH Cable  
 Insertion Loss < 0.3dB  
 RoHS Compliant

Part Number	Description	Jacket	Length	Color	Explore
<b>IFPCSMSTSTS1</b>	ST-ST-APC Simplex SM	LSOH	1m	Yellow, RAL1023	
<b>IFPCSMSTSTS3</b>	ST-ST-APC Simplex SM	LSOH	3m	Yellow, RAL1023	

Custom length available

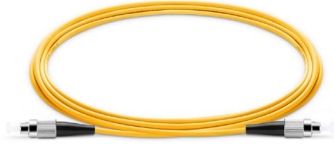
### Dimensions





### FC-FC APC Simplex Singlemode

#### Features

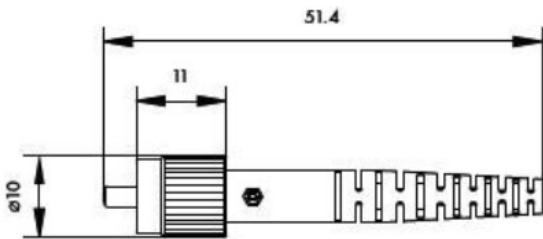


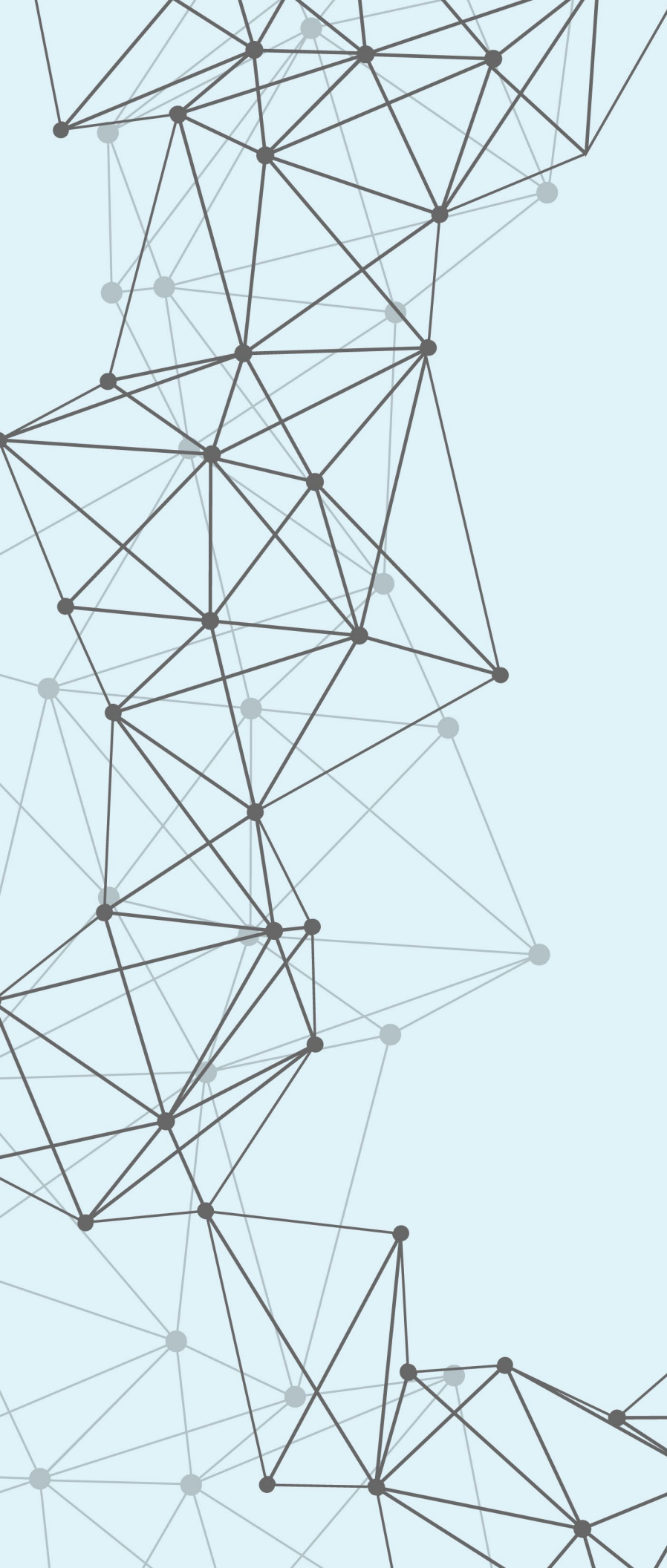
FC-FC APC Simplex  
 Singlemode G.657A2 Bend Insensitive  
 2.0mm LSOH Cable  
 Insertion Loss < 0.3dB  
 RoHS Compliant

Part Number	Description	Jacket	Length	Color	Explore
<b>IFAPCSMFCFC31</b>	FC-FC-APC Simplex SM	LSOH	1m	Yellow, RAL1023	
<b>IFAPCSMFCFC33</b>	FC-FC-APC Simplex SM	LSOH	3m	Yellow, RAL1023	

Custom length available

#### Dimensions



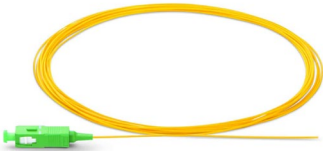


# FIBER PIGTAIL



# SC-APC Simplex Singlemode

## Features

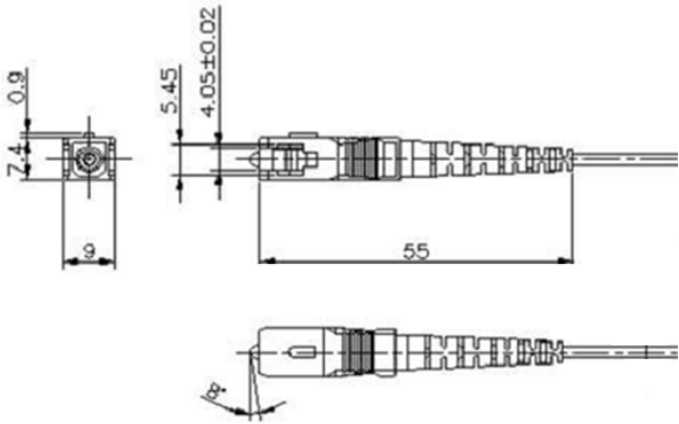


SC APC Simplex  
 Singlemode G.657A2 Bend Insensitive  
 0.9mm LSOH Cable  
 Insertion Loss < 0.3dB  
 RoHS Compliant  
 Packing Type is 10 Units

Part Number	Description	Jacket	Length	Color	Explore
IFAPSMSC1-10	SC APC SM	LSOH	1m	Yellow, RAL1023	

Custom length available

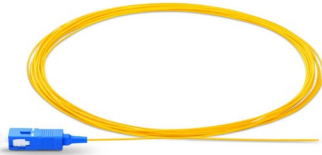
## Dimensions





# SC-UPC Simplex Singlemode

## Features

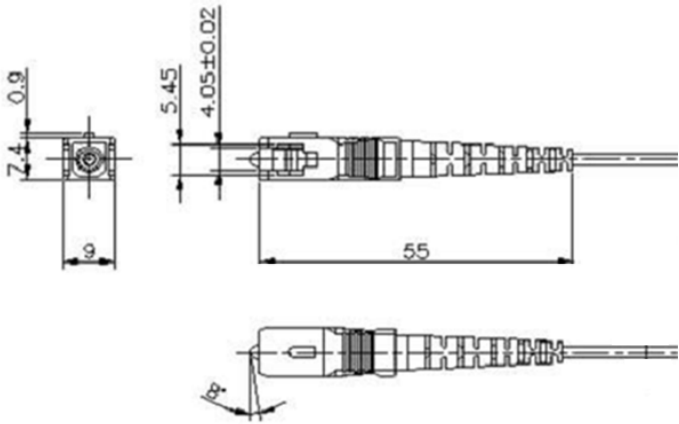


- SC UPC Simplex
- Singlemode G.657A2 Bend Insensitive
- 0.9mm LSOH Cable
- Insertion Loss < 0.3dB
- RoHS Compliant
- Packing Type is 10 Units

Part Number	Description	Jacket	Length	Color	Explore
IFPTSMSC1-10	SC UPC SM	LSOH	1m	Yellow, RAL1023	

Custom length available

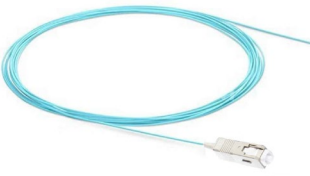
## Dimensions





# SC-UPC Simplex Multimode

## Features

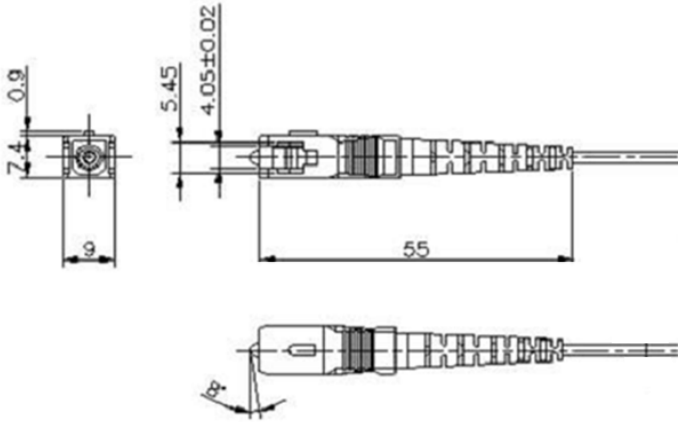


SC UPC Simplex  
 Multimode OM3, OM4, OM5  
 0.9mm LSOH Cable  
 Insertion Loss < 0.3dB  
 RoHS Compliant  
 Packing Type is 10 Units

Part Number	Description	Jacket	Length	Color	Explore
IFPTM3SC1-10	SC UPC Simplex OM3	LSOH	1m	Aqua RAL 6027	
IFPTM4SC1-10	SC UPC Simplex OM4	LSOH	1m	Violet RAL 4005	
IFPTM5SC1-10	SC UPC Simplex OM5	LSOH	1m	Lime Green RAL 6038	

Custom length available

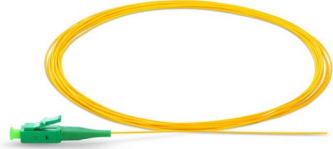
## Dimensions





LC-APC Simplex Singlemode

Features

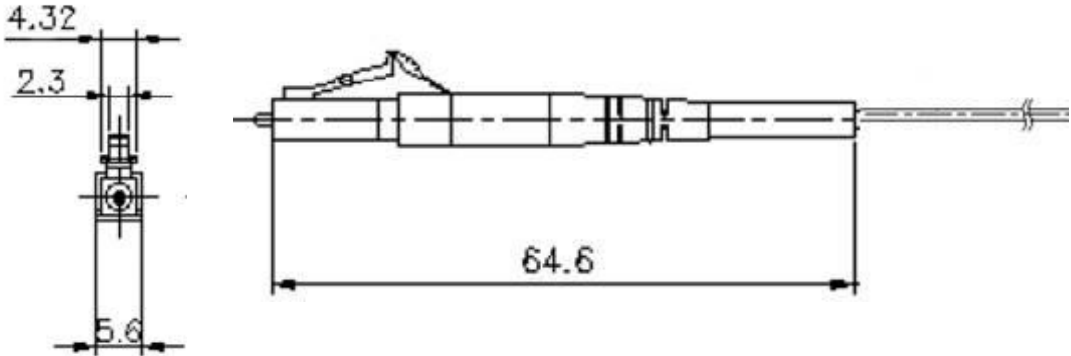


LC APC Simplex  
Singlemode G.657A2 Bend Insensitive  
0.9mm LSOH Cable  
Insertion Loss < 0.3dB  
RoHS Compliant  
Packing Type is 10 Units

Part Number	Description	Jacket	Length	Color	Explore
IFAPTSMLC1-10	LC APC SM	LSOH	1m	Yellow, RAL1023	

Custom length available

Dimensions







LC-UPC Simplex Singlemode

Features

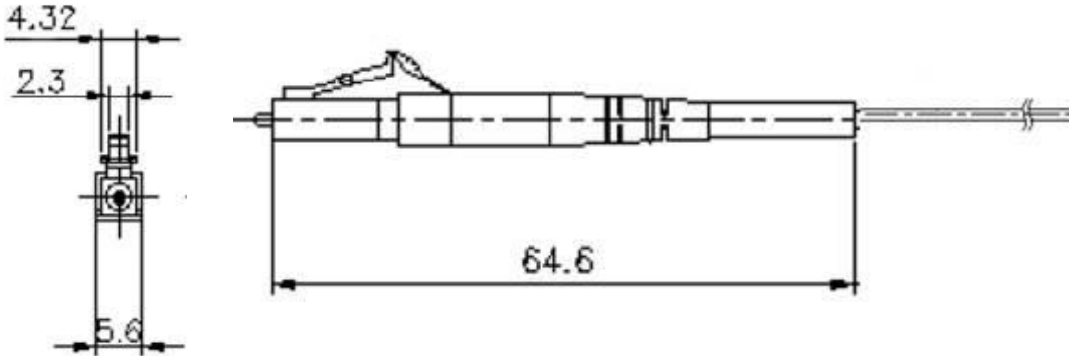


LC UPC Simplex  
Singlemode G.657A2 Bend Insensitive  
0.9mm LSOH Cable  
Insertion Loss < 0.3dB  
RoHS Compliant  
Packing Type is 10 Units

Part Number	Description	Jacket	Length	Color	Explore
IFPTSMC1-10	LC UPC Simplex SM	LSOH	1m	Yellow, RAL1023	

Custom length available

Dimensions





# LC-UPC Simplex Multimode

## Features

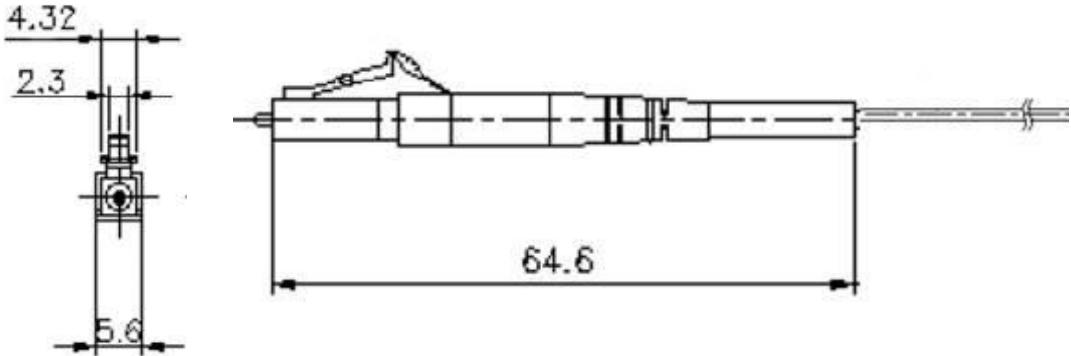


LC UPC Simplex  
 Multimode OM3  
 0.9mm LSOH Cable  
 Insertion Loss < 0.3dB  
 RoHS Compliant  
 Packing Type is 10 Units

Part Number	Description	Jacket	Length	Color	Explore
<b>IFPTM3LC1-10</b>	LC UPC Simplex OM3	LSOH	1m	Aqua RAL 6027	
<b>IFPTM4LC1-10</b>	LC UPC Simplex OM4	LSOH	1m	Violet RAL 4005	
<b>IFPTM5LC1-10</b>	LC UPC Simplex OM5	LSOH	1m	Lime Green RAL 6038	

Custom length available

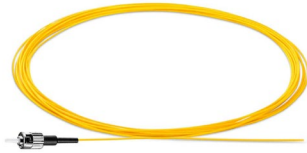
## Dimensions





ST-UPC Simplex Singlemode

Features

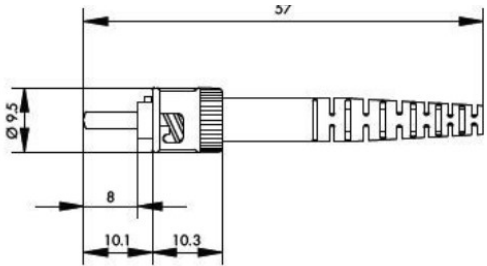


- ST UPC Simplex
- Singlemode G.657A2 Bend Insensitive
- 0.9mm LSOH Cable
- Insertion Loss < 0.3dB
- RoHS Compliant
- Packing Type is 10 Units

Part Number	Description	Jacket	Length	Color	Explore
IFPTSMST1-10	ST UPC Simplex SM	LSOH	1m	Yellow, RAL1023	

Custom length available

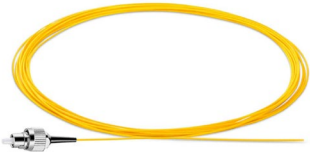
Dimensions





FC-UPC Simplex Singlemode

Features

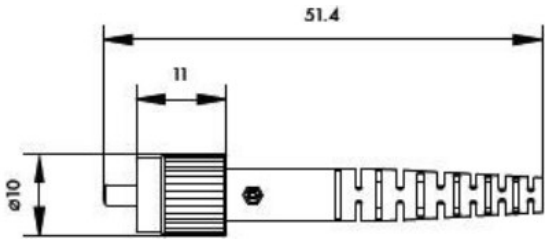


FC UPC Simplex  
Singlemode G.657A2 Bend Insensitive  
0.9mm LSOH Cable  
Insertion Loss < 0.3dB  
RoHS Compliant  
Packing Type is 10 Units

Part Number	Description	Jacket	Length	Color	Explore
IFPTSMFC1-10	FC UPC Simplex SM	LSOH	1m	Yellow, RAL1023	

Custom length available

Dimensions





# FIBER ADAPTER



### SC-APC Simplex

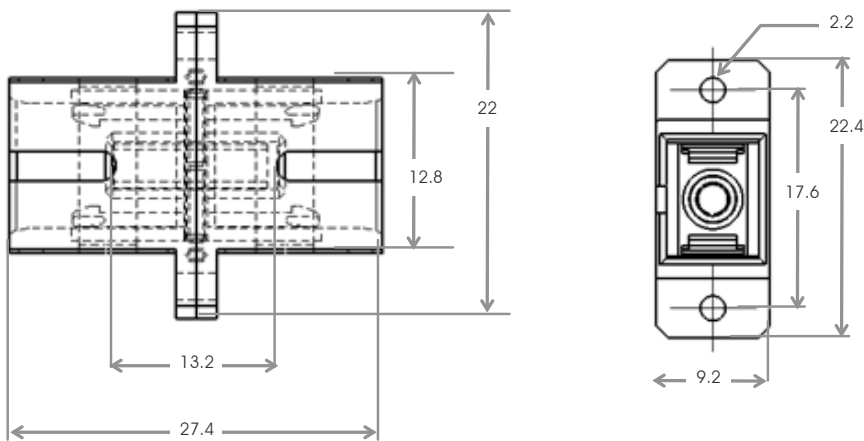


#### Features

SC APC Flanged Simplex Singlemode  
Insertion Loss < 0.2dB  
1000 Mating Cycles  
Ceramic Sleeve, PBT Housing, UL94-V0  
RoHS Compliant  
Packing Type is 10 Units

Part Number	Description	Type	Polish	Color	Explore
IFAASMSCS-10	SC-APC SM	Simplex	APC	Green RAL 6018	

#### Dimensions





## SC-APC Slim Simplex

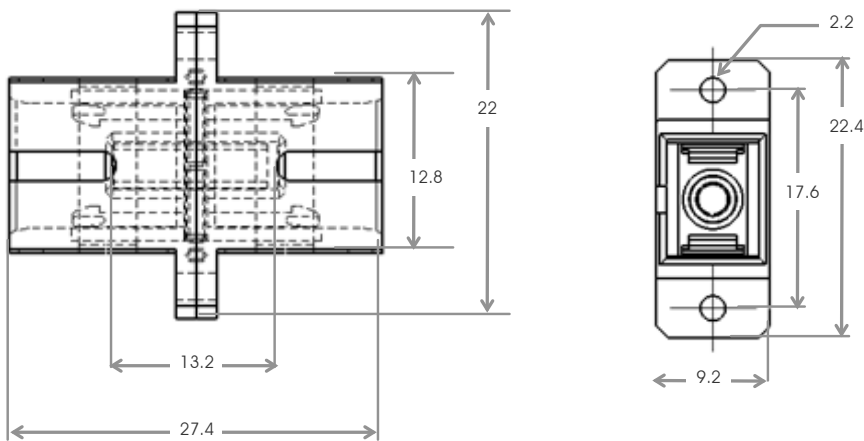
### Features



SC APC Slim Simplex Singlemode  
Insertion Loss < 0.2dB  
1000 Mating Cycles  
Ceramic Sleeve, PBT Housing, UL94-V0  
RoHS Compliant  
Packing Type is 10 Units

Part Number	Description	Type	Polish	Color	Explore
IFSAASMSCS-10	SC-APC SM Slim	Simplex	APC	Green RAL 6018	

### Dimensions





## SC-APC Duplex

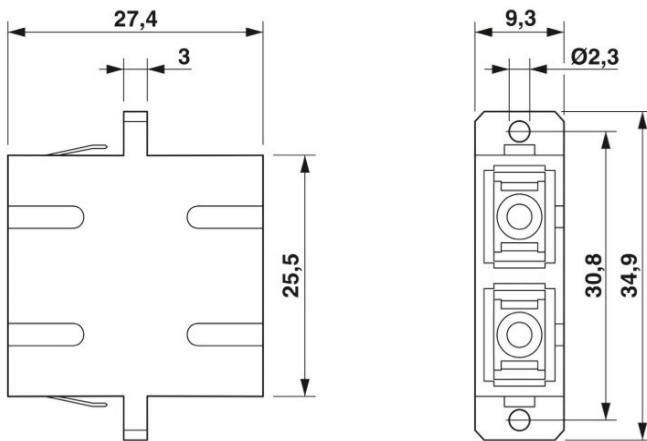


### Features

SC APC Flanged Duplex Singlemode  
Insertion Loss < 0,2dB  
1000 Mating Cycles  
Ceramic Sleeve, PBT Housing, UL94-V0  
RoHS Compliant  
Packing Type is 10 Units

Part Number	Description	Type	Polish	Color	Explore
IFAASMSCD-10	SC-APC SM	Duplex	APC	Green RAL 6018	

### Dimensions







## LC-APC Duplex

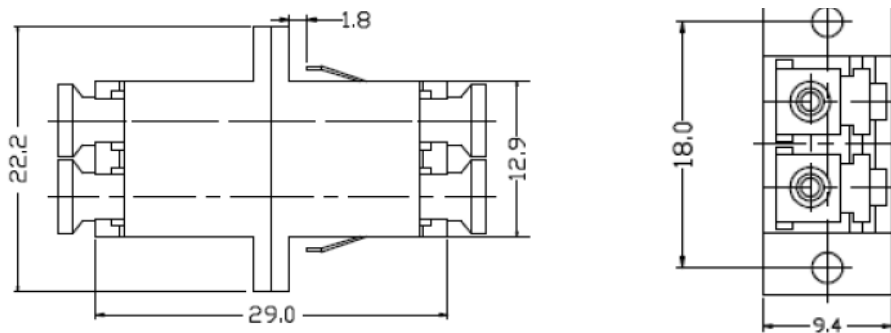


### Features

LC APC Flanged Duplex Singlemode  
Insertion Loss < 0.2dB  
1000 Mating Cycles  
Ceramic Sleeve, PBT Housing, UL94-V0  
RoHS Compliant  
Packing Type is 10 Units

Part Number	Description	Type	Polish	Color	Explore
IFAASMLCD-10	LC-APC SM	Duplex	APC	Green RAL 6018	

### Dimensions





## LC-APC Slim Duplex

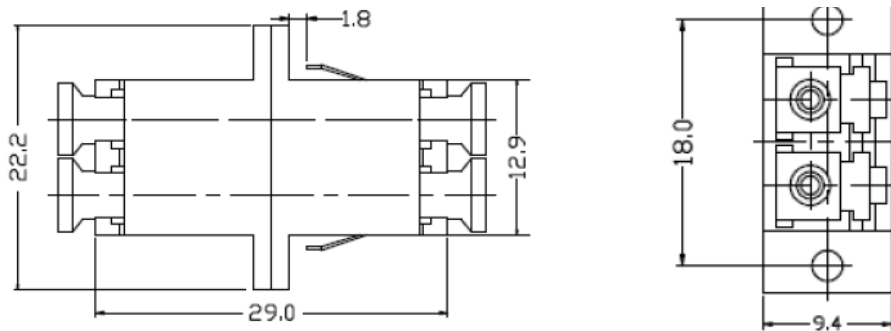
### Features



LC APC Slim Duplex Singlemode  
Insertion Loss < 0.2dB  
1000 Mating Cycles  
Ceramic Sleeve, PBT Housing, UL94-V0  
RoHS Compliant  
Packing Type is 10 Units

Part Number	Description	Type	Polish	Color	Explore
IFSAASMLCD-10	LC-APC SM Slim	Duplex	APC	Green RAL 6018	

### Dimensions





### SC-UPC Simplex

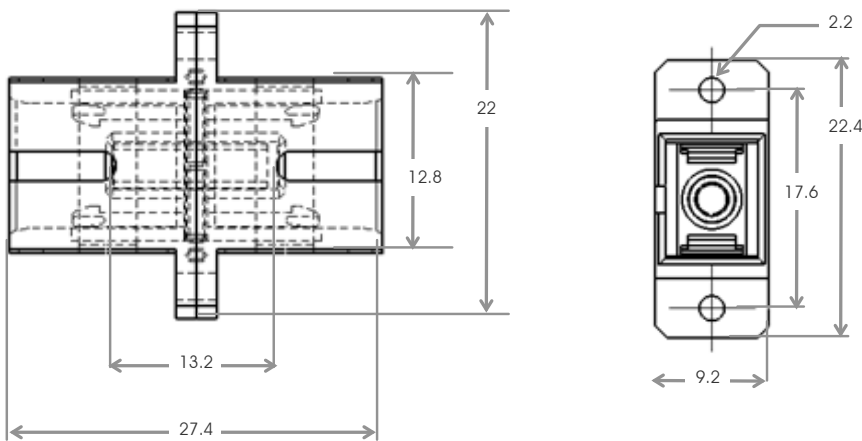
#### Features



SC UPC Flanged Simplex Singlemode  
Insertion Loss < 0.2dB  
1000 Mating Cycles  
Ceramic Sleeve, PBT Housing, UL94-V0  
RoHS Compliant  
Packing Type is 10 Units

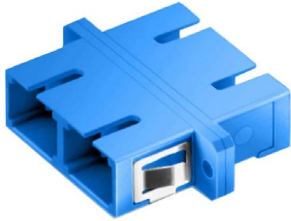
Part Number	Description	Type	Polish	Color	Explore
IFASMSCS-10	SC-UPC SM	Simplex	UPC	Blue RAL 5009	

#### Dimensions





## SC-UPC Duplex

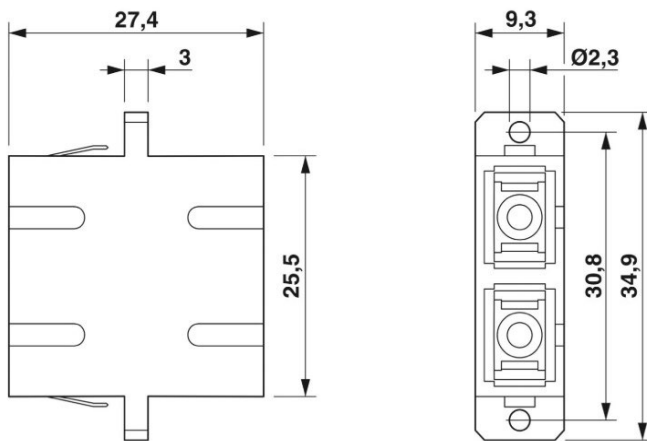


### Features

SC UPC Flanged Duplex Singlemode  
Insertion Loss < 0,2dB  
1000 Mating Cycles  
Ceramic Sleeve, PBT Housing, UL94-V0  
RoHS Compliant  
Packing Type is 10 Units

Part Number	Description	Type	Polish	Color	Explore
IFASMSCD-10	SC-UPC SM	Duplex	UPC	Blue RAL 5009	

### Dimensions





## LC-UPC Duplex

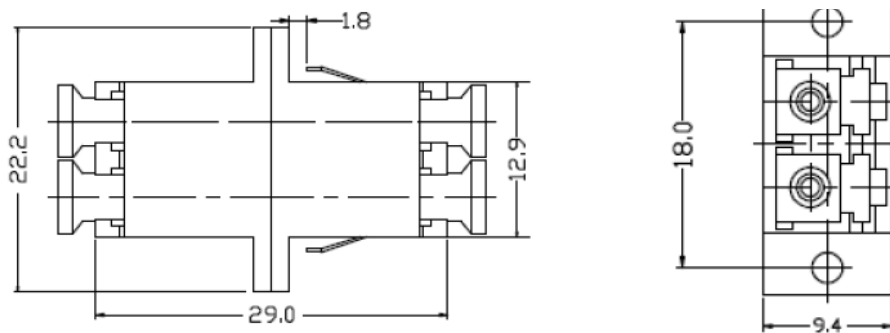


### Features

LC UPC Flanged Duplex Singlemode  
 Insertion Loss < 0.2dB  
 1000 Mating Cycles  
 Ceramic Sleeve, PBT Housing, UL94-V0  
 RoHS Compliant  
 Packing Type is 10 Units

Part Number	Description	Type	Polish	Color	Explore
IFASMLCD-10	LC-UPC SM	Duplex	UPC	Blue RAL 5009	

### Dimensions





### LC-UPC Quad

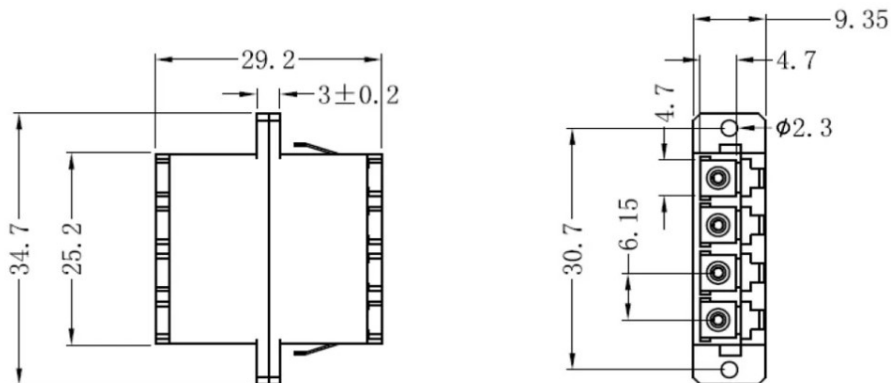
### Features



LC UPC Flanged Quad Singlemode  
 Insertion Loss < 0.2dB  
 1000 Mating Cycles  
 Ceramic Sleeve, PBT Housing, UL94-V0  
 RoHS Compliant  
 Packing Type is 10 Units

Part Number	Description	Type	Polish	Color	Explore
IFASMLCQ-10	LC-UPC SM	Quad	UPC	Blue RAL 5009	

### Dimensions





## FC-UPC Simplex

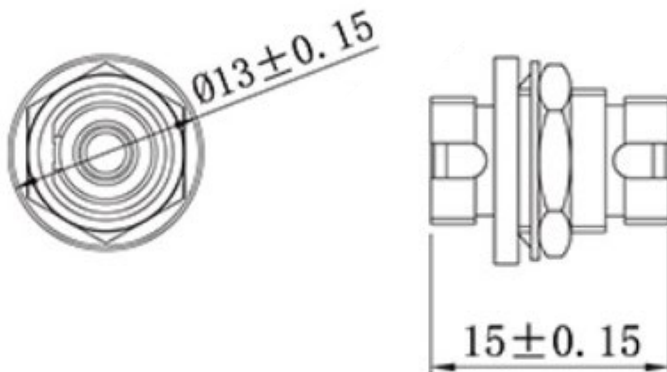


### Features

FC UPC Simplex Singlemode  
Insertion Loss < 0.2dB  
1000 Mating Cycles  
Ceramic Sleeve, PBT Housing, UL94-V0  
RoHS Compliant  
Packing Type is 10 Units

Part Number	Description	Type	Polish	Color	Explore
IFASMFC5	FC-UPC SM	Simplex	UPC	White RAL 9003	

### Dimensions





## ST-UPC Simplex

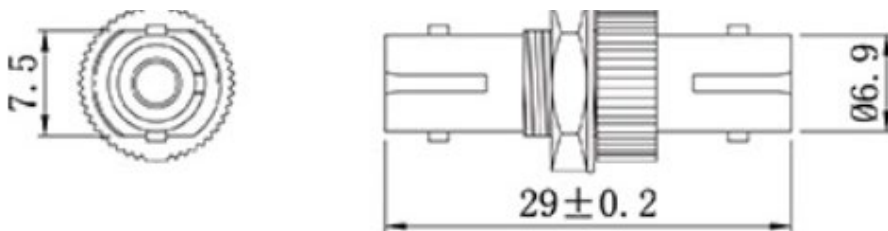
### Features



ST UPC Simplex Singlemode  
Insertion Loss < 0.2dB  
1000 Mating Cycles  
Ceramic Sleeve, PBT Housing, UL94-V0  
RoHS Compliant  
Packing Type is 10 Units

Part Number	Description	Type	Polish	Color	Explore
IFASMSTS	ST-UPC SM	Simplex	UPC	Red RAL 3020	

### Dimensions







### SC-UPC Simplex

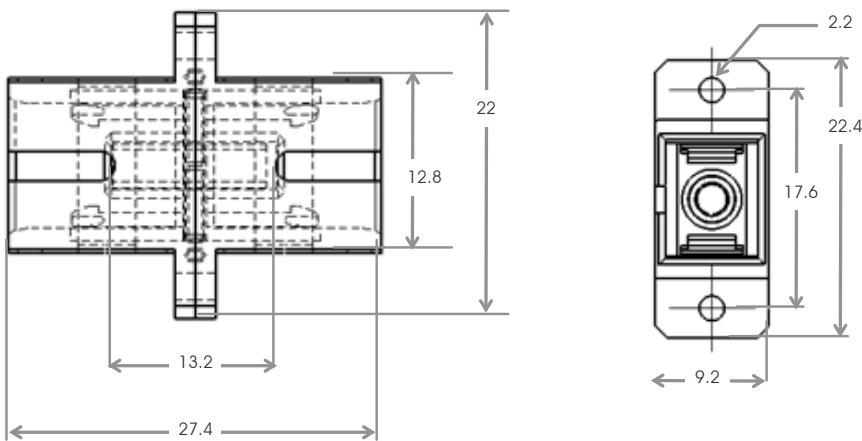
#### Features



SC UPC Flanged Simplex Multimode  
Insertion Loss < 0.2dB  
1000 Mating Cycles  
Ceramic Sleeve, PBT Housing, UL94-V0  
RoHS Compliant  
Packing Type is 10 Units

Part Number	Description	Type	Polish	Color	Explore
IFAMMSCS	SC-UPC SM	Simplex	UPC	Gray RAL 7032	

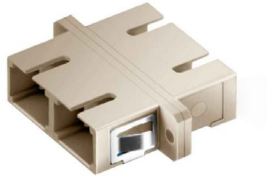
#### Dimensions





## SC-UPC Duplex

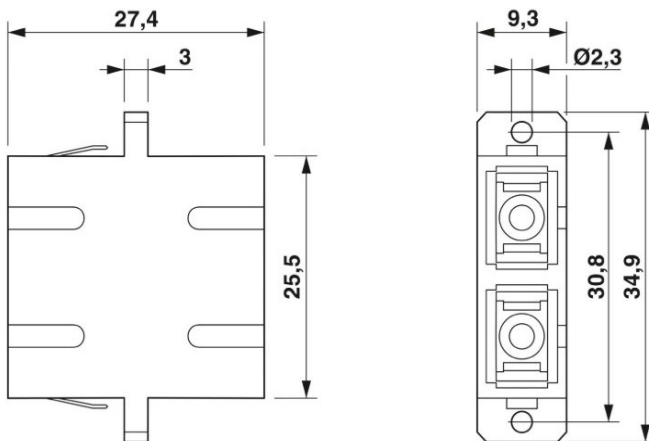
### Features



SC UPC Flanged Duplex Multimode  
Insertion Loss < 0,2dB  
1000 Mating Cycles  
Ceramic Sleeve, PBT Housing, UL94-V0  
RoHS Compliant  
Packing Type is 10 Units

Part Number	Description	Type	Polish	Color	Explore
IFAMMSCD	SC-UPC MM	Duplex	UPC	Gray RAL 7032	

### Dimensions





## LC-UPC Duplex

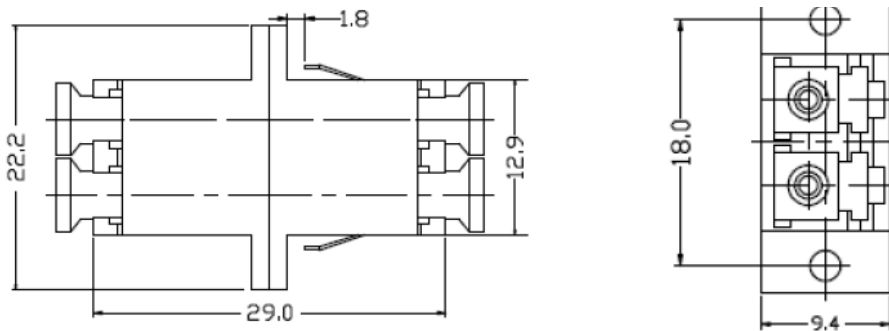


### Features

LC UPC Flanged Duplex Multimode  
Insertion Loss < 0.2dB  
1000 Mating Cycles  
Ceramic Sleeve, PBT Housing, UL94-V0  
RoHS Compliant  
Packing Type is 10 Units

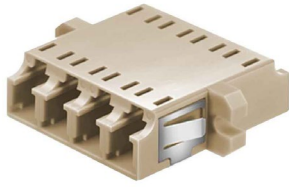
Part Number	Description	Type	Polish	Color	Explore
IFAMMLCD	LC-UPC MM	Duplex	UPC	Gray RAL 7032	

### Dimensions





## LC-UPC Quad

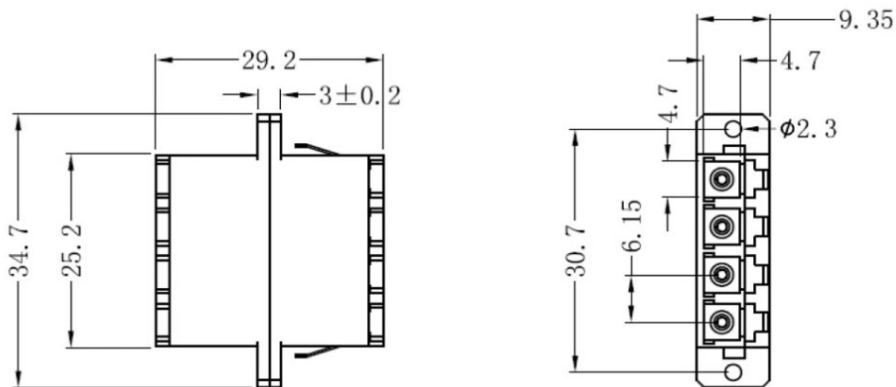


### Features

LC UPC Flanged Quad Multimode  
Insertion Loss < 0.2dB  
1000 Mating Cycles  
Ceramic Sleeve, PBT Housing, UL94-V0  
RoHS Compliant  
Packing Type is 10 Units

Part Number	Description	Type	Polish	Color	Explore
IFAMMLCQ	LC-UPC MM	Quad	UPC	Gray RAL 7032	

### Dimensions





### FC-UPC Simplex

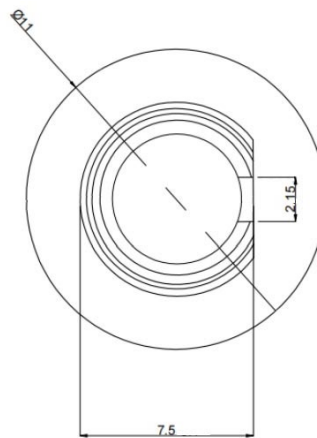
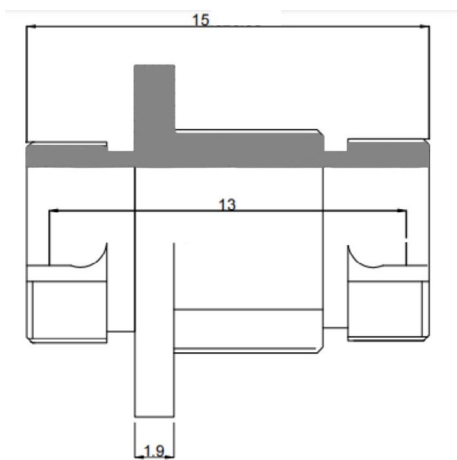


### Features

FC UPC Simplex Multimode  
Insertion Loss < 0.2dB  
1000 Mating Cycles  
Ceramic Sleeve, PBT Housing, UL94-V0  
RoHS Compliant  
Packing Type is 10 Units

Part Number	Description	Type	Polish	Color	Explore
IFAMMFCS	FC-UPC MM	Simplex	UPC	Red RAL 3020	

### Dimensions





### ST-UPC Simplex

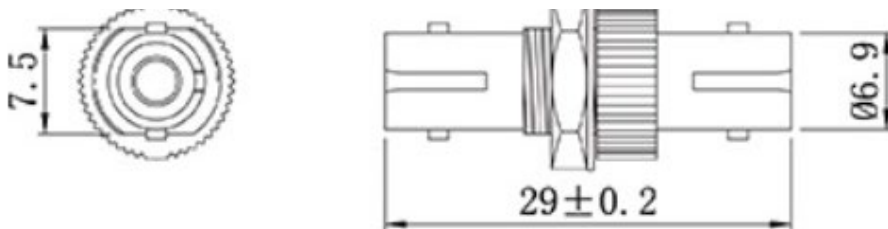


#### Features

ST UPC Simplex Multimode  
Insertion Loss < 0.2dB  
1000 Mating Cycles  
Ceramic Sleeve, PBT Housing, UL94-V0  
RoHS Compliant  
Packing Type is 10 Units

Part Number	Description	Type	Polish	Color	Explore
IFAMMSTS	ST-UPC MM	Simplex	UPC	Yellow RAL 1023	

#### Dimensions





# FIBER PATCH PANEL



144 Port SC Simplex

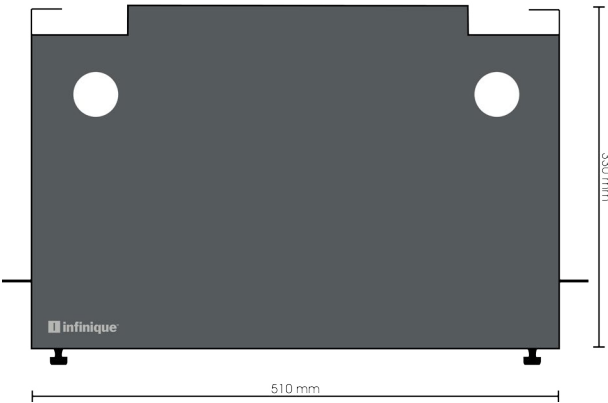
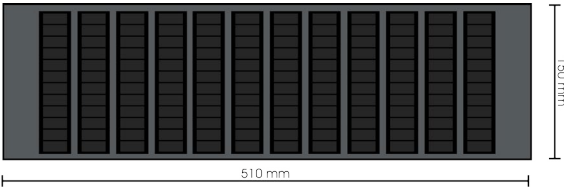


Features

144 Ports Unloaded Patch Panel  
Suitable for SC Simplex or LC Duplex  
Powder Coated Rolled Steel  
Fixing Kit Included  
RoHS Compliant

Part Number	Description	Ports	Cores	Color	Explore
IFRMPP144SCS	Patch Panel 144 Port	144	288	Black RAL 9005	

Dimensions







24 Port SC Simplex

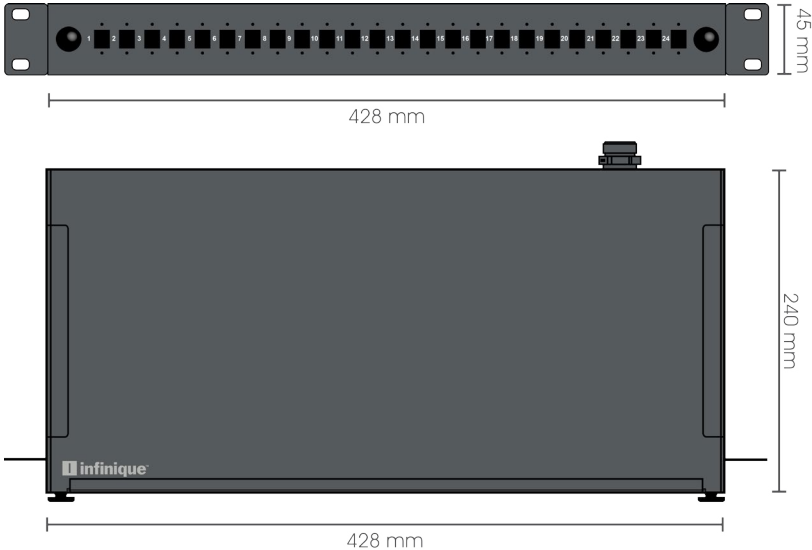


Features

- 24 Ports Unloaded Patch Panel
- Suitable for SC Simplex or LC Duplex
- Powder Coated Rolled Steel
- Fixing Kit Included
- RoHS Compliant

Part Number	Description	Ports	Cores	Color	Explore
IFRMPP24SCS	Patch Panel 24 Port	24	48	Black RAL 9005	

Dimensions





48 Port SC Duplex

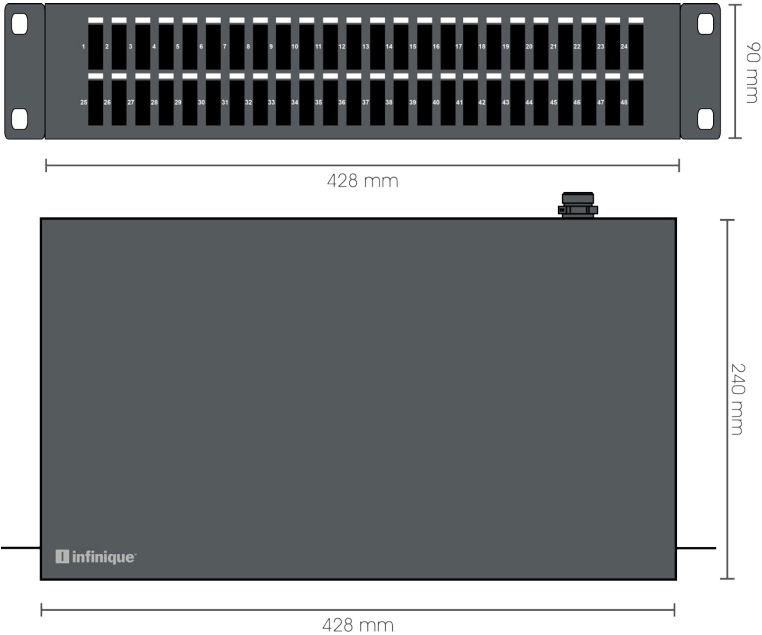


Features

- 48 Ports Unloaded Patch Panel
- Suitable for SC Duplex or LC Quad
- Powder Coated Rolled Steel
- Fixing Kit Included
- RoHS Compliant

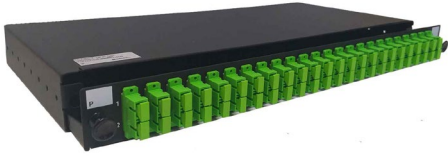
Part Number	Description	Ports	Cores	Color	Explore
IFRMPP48SCD	Patch Panel 48 Port	48	192	Black RAL 9005	

Dimensions





24 Port SC Duplex

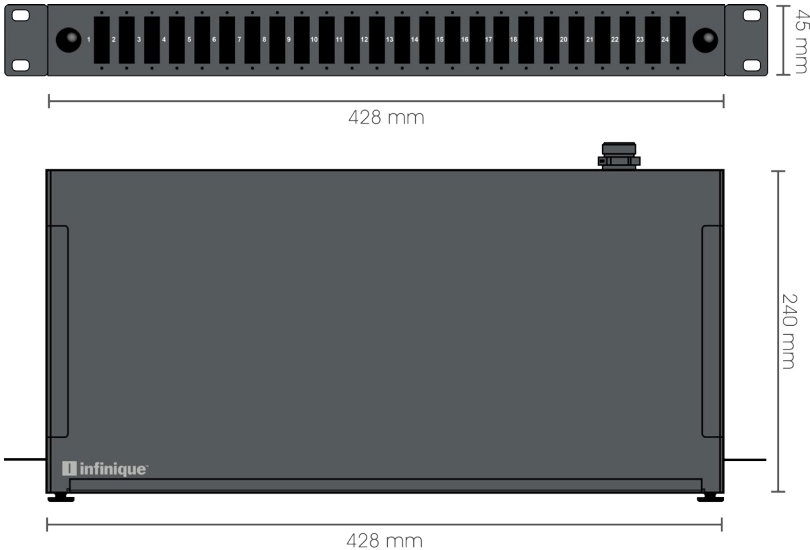


Features

- 24 Ports Unloaded Patch Panel
- Suitable for SC Duplex or LC Quad
- Powder Coated Rolled Steel
- Fixing Kit Included
- RoHS Compliant

Part Number	Description	Ports	Cores	Color	Explore
IFRMPP24SCD	Patch Panel 24 Port	24	96	Black RAL 9005	

Dimensions





24 Port ST Simplex

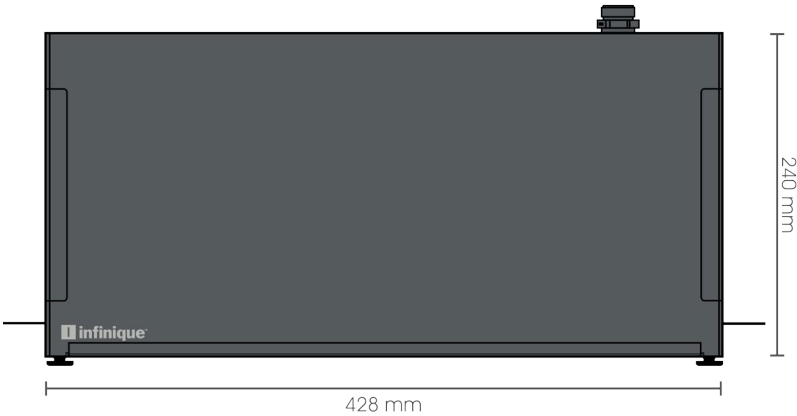
Features



24 Ports Unloaded Patch Panel  
Suitable for ST, FC Simplex  
Powder Coated Rolled Steel  
Fixing Kit Included  
RoHS Compliant

Part Number	Description	Ports	Cores	Color	Explore
IFRMPP24STS	Patch Panel 24 Port	24	24	Black RAL 9005	

Dimensions





Surface Mount

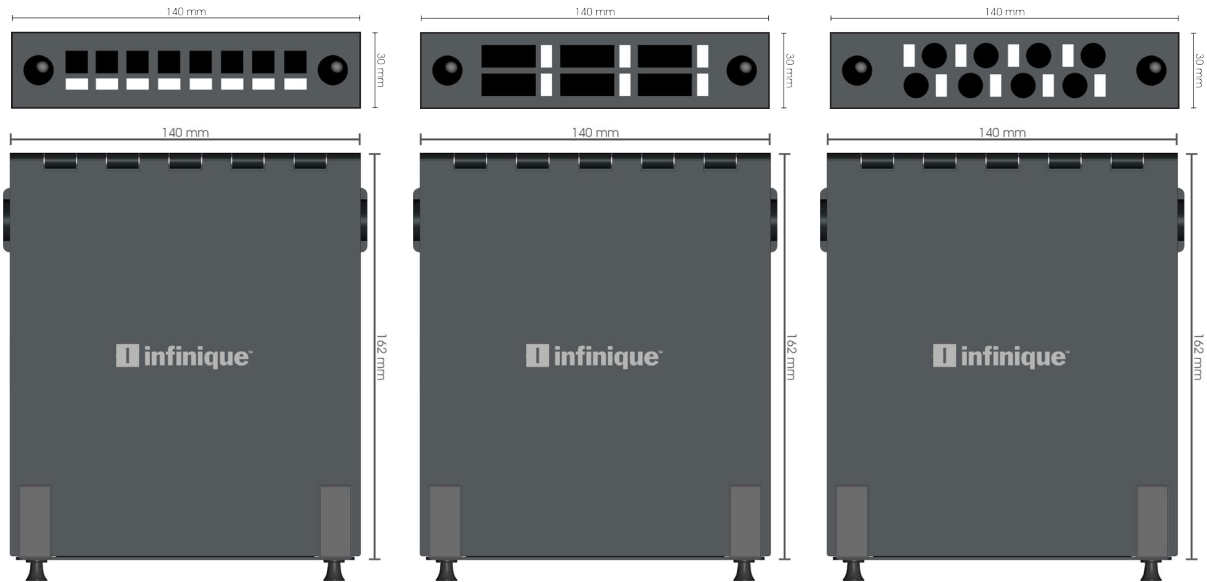


Features

- Slim Panel
- Surface Mount
- Powder Coated Rolled Steel
- Fixing Kit Included
- RoHS Compliant

Part Number	Description	Ports	Cores	Color	Explore
IFSMPP8SCS	Patch Panel 8 Port	8	16	Black RAL 9005	
IFSMPP6SCD	Patch Panel 6 Port	6	12	Black RAL 9005	
IFSMPP8STS	Patch Panel 8 Port	8	8	Black RAL 9005	

Dimensions





# **OPTICAL DISTRIBUTION FRAME**



## Micro ODF

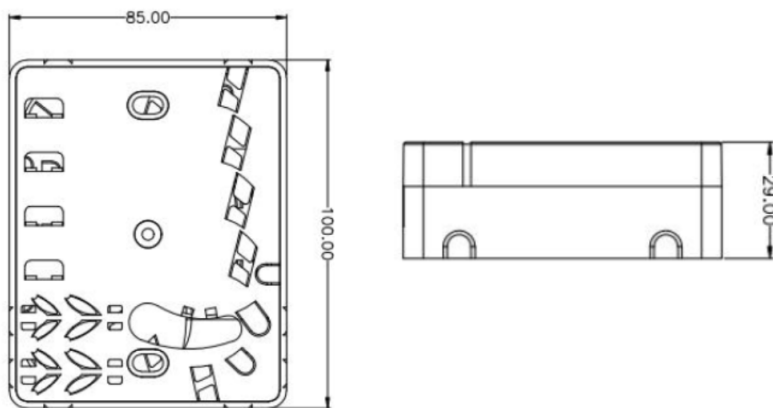


### Features

- Compatible with SC Simplex, LC Duplex
- Compact Wall Mount
- Available in 2-4 ports
- ROHS Compliant
- Fixing Kit Included

Part Number	Description	Ports	Cores	Color	Explore
IFWMDBP2	Micro ODF 2 Port	2	4	White RAL 9016	
IFWMDBP4	Micro ODF 4 Port	4	8	White RAL 9016	

### Dimensions





## Surface Mount Mini ODF

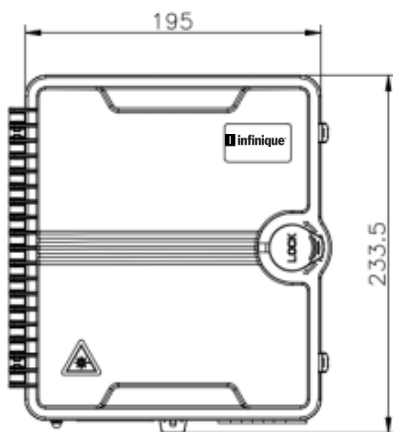


### Features

- Compatible with SC Simplex, LC Duplex
- Surface Mount
- Available in 12-24 Ports
- ROHS Compliant
- Fixing Kit Included

Part Number	Description	Ports	Cores	Color	Explore
IFWMDBP12	Mini ODF 12 Port	12	24	White RAL 9016	
IFWMDBP24	Mini ODF 24 Port	24	48	White RAL 9016	

### Dimensions







## Surface Mount Mini ODF

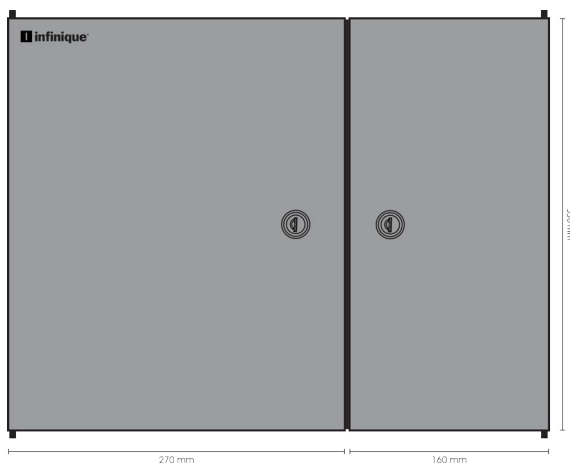


### Features

Compatible with SC Simplex, LC Duplex  
 Surface Mount, Lockable Double Door  
 Available in 24-96 Ports  
 Powder Coated Rolled Steel  
 Fixing Kit Included

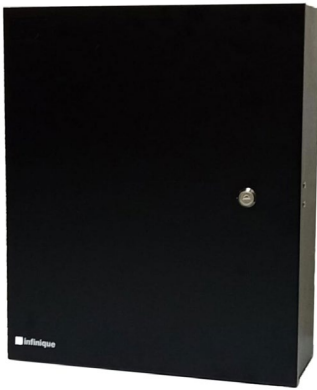
Part Number	Description	Ports	Cores	Color	Explore
IFWMCBP24	ODF 24 Port	24	48	Gray	
IFWMCBP48	ODF 48 Port	48	96	Gray	
IFWMCBP96	ODF 96 Port	96	192	Gray	

### Dimensions





## Direct Splice Cabinet

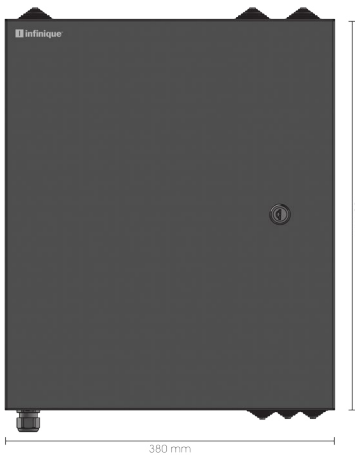


### Features

- Lockable Single Door
- 240 Core Termination
- Surface Mount
- Powder Coated Rolled Steel
- Fixing Kit Included

Part Number	Description	Cores	Color	Explore
IFWMCBS240	Direct Splice ODF 240 Core	240	Black RAL 9005	

### Dimensions





# **SPLICE ENCLOSURE**



## Inline Clamp Type

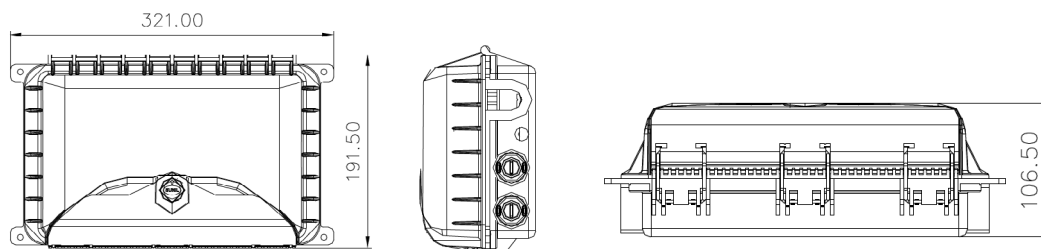


### Features

- Available upto 192 core terminations
- 6 Ports for cables of various diameters
- Aerial and direct burial applications
- High quality elastic silicon gasket seal
- IP68 rated rugged housing

Part Number	Description	Ports	Cores	Color	Explore
IFHCSC-48-6	Inline Clamp Closure 48C	6	48	Black RAL 9005	
IFHCSC-72-6	Inline Clamp Closure 72C	6	72	Black RAL 9005	
IFHCSC-96-6	Inline Clamp Closure 96C	6	96	Black RAL 9005	
IFHCSC-144-6	Inline Clamp Closure 144C	6	144	Black RAL 9005	
IFHCSC-192-6	Inline Clamp Closure 192C	6	192	Black RAL 9005	

### Dimensions





## Inline Horizontal Type

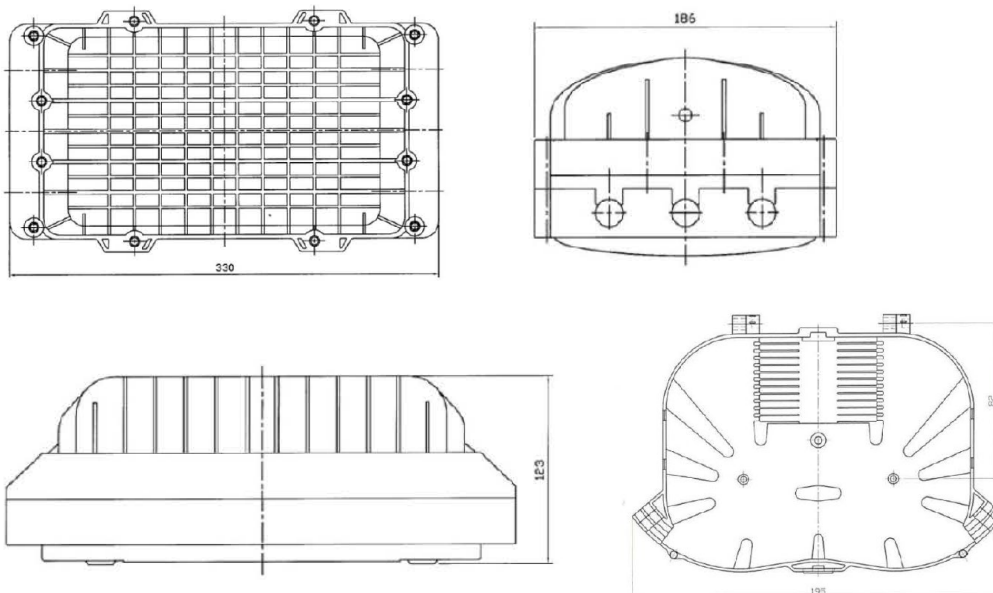


### Features

Available upto 144 core terminations  
 6 Ports for cables of various diameters  
 Aerial and direct burial applications  
 High quality elastic silicon gasket seal  
 IP68 rated rugged housing

Part Number	Description	Ports	Cores	Color	Explore
IFHBSC-24-6	Inline Closure 24C	6	24	Black RAL 9005	
IFHBSC-48-6	Inline Closure 48C	6	48	Black RAL 9005	
IFHBSC-72-6	Inline Closure 72C	6	72	Black RAL 9005	
IFHBSC-96-6	Inline Closure 96C	6	96	Black RAL 9005	
IFHBSC-144-6	Inline Closure 144C	6	144	Black RAL 9005	

### Dimensions





## Dome Type

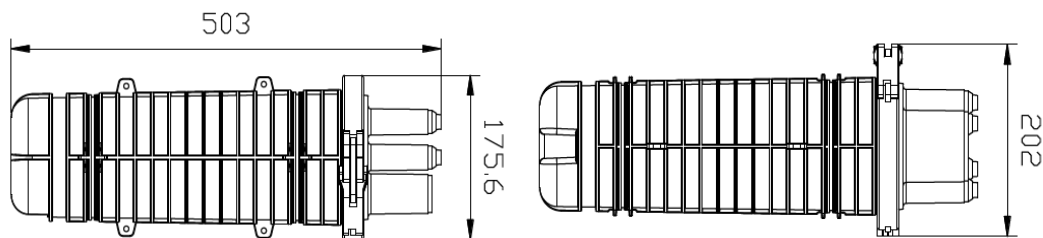


### Features

- Available upto 144 core terminations
- 5 Ports for cables of various diameters
- Aerial and direct burial applications
- High quality elastic silicon gasket seal
- IP68 rated rugged housing

Part Number	Description	Ports	Cores	Color	Explore
IFDSC-24-5	Dome Closure 24C	5	24	Black RAL 9005	
IFDSC-48-5	Dome Closure 48C	5	48	Black RAL 9005	
IFDSC-72-5	Dome Closure 72C	5	72	Black RAL 9005	
IFDSC-96-5	Dome Closure 96C	5	96	Black RAL 9005	
IFDSC-144-5	Dome Closure 144C	5	144	Black RAL 9005	
IFDSC-BWM	Closure Bracket	-	-	Black RAL 9005	

### Dimensions





# PLC OPTICAL SPLITTER



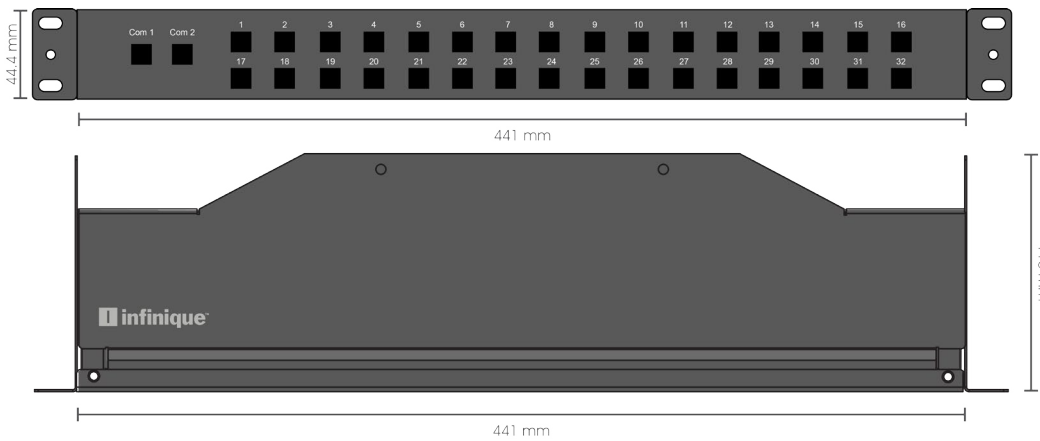
### Features



PLC Splitter  
 SC-APC Connectors  
 Low Insertion Loss, Low PDL  
 Certified as per Telcordia GR-1221 and GR-1209  
 Rack Mount 1U

Part Number	Description	Color	Explore
IFPLC-SM-232-ASCR	2x32 SC APC PLC Splitter	Black RAL 9005	
IFPLC-SM-216-ASCR	2x16 SC APC PLC Splitter	Black RAL 9005	
IFPLC-SM-208-ASCR	2x8 SC APC PLC Splitter	Black RAL 9005	
IFPLC-SM-132-ASCR	1x32 SC APC PLC Splitter	Black RAL 9005	
IFPLC-SM-116-ASCR	1x16 SC APC PLC Splitter	Black RAL 9005	
IFPLC-SM-108-ASCR	1x8 SC APC PLC Splitter	Black RAL 9005	

### PLC Splitter Construction







# LC APC

# PLC Optical Splitter

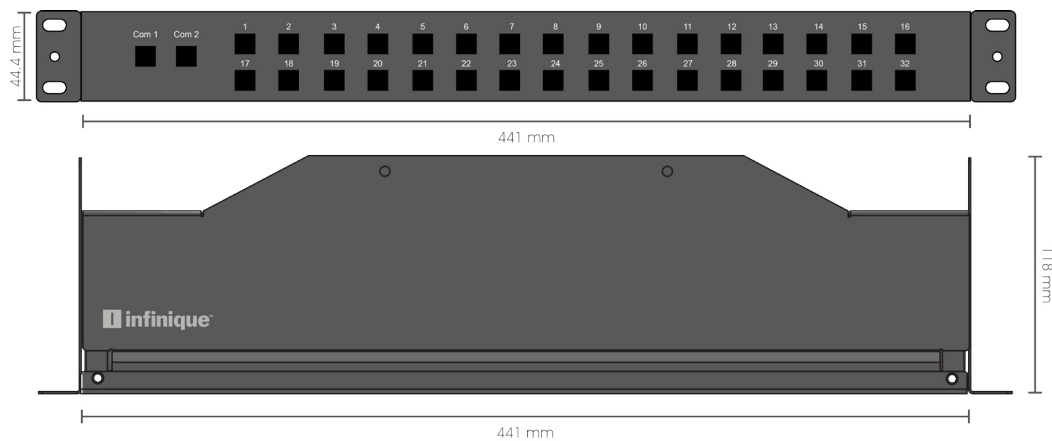


## Features

- PLC Splitter
- LC-APC Connectors
- Low Insertion Loss, Low PDL
- Certified as per Telcordia GR-1221 and GR-1209
- Rack Mount 1U

Part Number	Description	Color	Explore
IFPLC-SM-232-ALCR	2x32 LC APC PLC Splitter	Black RAL 9005	
IFPLC-SM-216-ALCR	2x16 LC APC PLC Splitter	Black RAL 9005	
IFPLC-SM-208-ALCR	2x8 LC APC PLC Splitter	Black RAL 9005	
IFPLC-SM-202-ALCR	2x2 LC APC PLC Splitter	Black RAL 9005	
IFPLC-SM-132-ALCR	1x32 LC APC PLC Splitter	Black RAL 9005	
IFPLC-SM-116-ALCR	1x16 LC APC PLC Splitter	Black RAL 9005	
IFPLC-SM-108-ALCR	1x8 LC APC PLC Splitter	Black RAL 9005	
IFPLC-SM-102-ALCR	1x2 LC APC PLC Splitter	Black RAL 9005	

## PLC Splitter Construction





# ACCESSORIES



## Splice Protection Sleeve

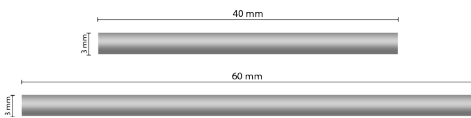


### Features

- 40 x 3 mm
- Fusion Splice
- Steel Strength Member
- Heat Shrinkable Tubing
- ROHS Compliant

Part Number	Description	Size	Color	Explore
IFSPS40	Sleeve 40 mm	40 x 3mm	Transparent	
IFSPS60	Sleeve 60 mm	60 x 3mm	Transparent	

### Dimensions





## Stackable Splice Tray

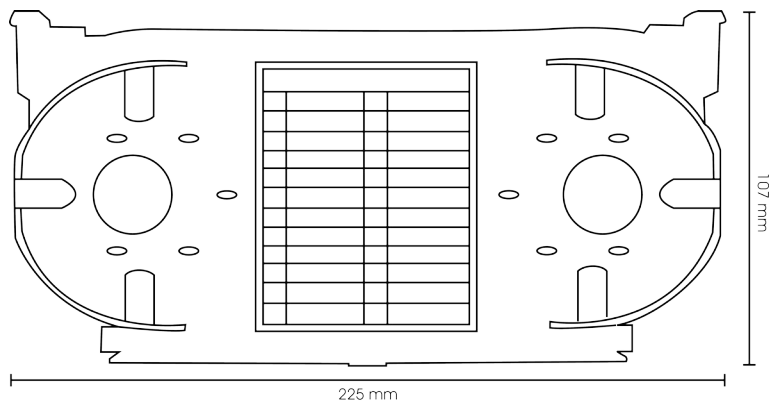


### Features

Compact Splice Holder  
Fiber Splice Tray  
Holds up to 12 or 24 Cores

Part Number	Description	Dimension	Color	Explore
IFST12	Splice Tray 12C	150 x 100 x 17 mm	White RAL 9016	
IFST24	Splice Tray 24C	225 x 107 x 20 mm	White RAL 9016	
IFST24-Slim	Slim Splice Tray 24C	245 x 117 x 0.6 mm	White RAL 9016	

### Dimensions





## Patch Panel Blanking Plug

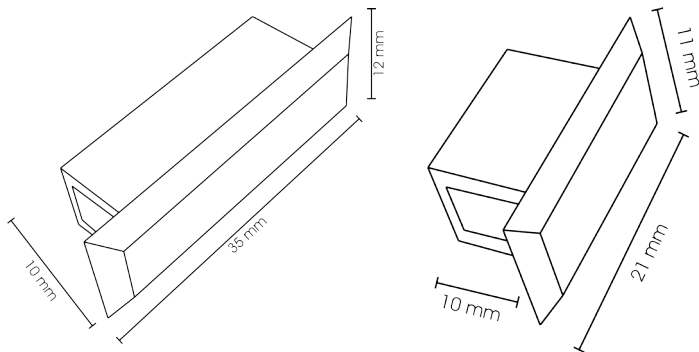


### Features

SC Duplex, SC Simplex Footprint  
Dust Protection  
ROHS Compliant

Part Number	Description	Color	Explore
IFBLKSCS	Plug SC Simplex	Black RAL 9005	
IFBLKSCD	Plug SC Duplex	Black RAL 9005	

### Dimensions





**Infinique Worldwide Inc.**

Ontario, Canada  
Tel: +1-905-766-3705  
Toll Free: +1-844-332-2288  
Email: sales@infinique.com

**Infinique Middle East FZCO**

Dubai, United Arab Emirates  
Tel: +971-4-3926-330  
Email: sales.me@infinique.com

© 2025 Infinique Worldwide Inc. Infinique, Fortes and nClient are registered trademarks or trademark applications of Infinique Worldwide Inc. Canada. All other company names and products are trademarks or registered trademarks of their respective companies.

This document is protected by copyright and distributed under licenses restricting its use, copying, distribution and recompilation. No part of this document may be reproduced in any form by any means without prior written authorization of Infinique and its licensors. Information contained in this document is valid and correct at the time of its publication.

Product specification, design and availability subject to change without prior notice

[www.infinique.com](http://www.infinique.com)